



* Available on selected models only

GEM-V/VL | Modular Manifold Installation



Brass | 5 valves



Mazak | 6 valves

Technical Data

Function	2 Way, 3 Way NC, NO
Pressure range	<ul style="list-style-type: none"> See table Valves for pressure higher than 25 bar cannot be supplied with manual override.
Kv (l/min)	See table
Temperature range	Fluid : -10°C to 80°C (no freezing) Ambient : -10°C to 50°C
Mounting	Vertical, on sub-base, 2 screws M4. Any number of valves on the same sub-base plate. Any combination of 2/2, 3 Way NC or NO valves may be grouped together. * Standard valve orientation : Manual override and base port on the same side
Materials in contact with media	Manual override: Plastic, Brass screw or finger knob. NOa* - manual override is not available. *pressure is supplied through the base Main Valve: Mazak, Brass Solenoid Operator: Stainless Steel AISI 300 & 400 series Seals: NBR, FKM, EPDM
Media	Air, water, oil
Coil voltage	<ul style="list-style-type: none"> Voltage and power consumption - see table All Baccara coil voltages are ± 10% of nominal
Standard / Certification	<ul style="list-style-type: none"> UL 429 * Available on selected models only. Please contact our technical sales department for details.
Standard protection class	IP65 with connector * Option : IP68 (please refer to GEM-BP Coil)

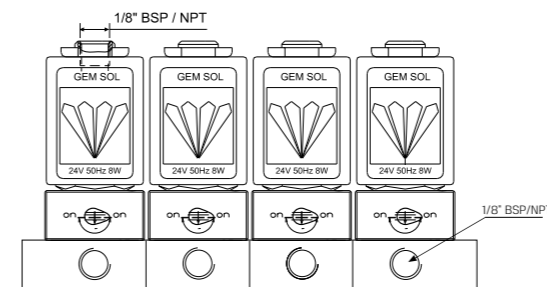
- Latch valves are available upon request.
- Pressure separation plug is available.

Two types of NO valves :

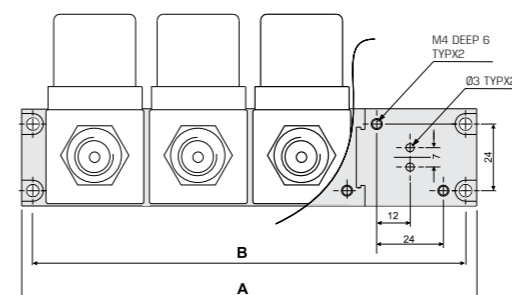
- Supply pressure is through the base like NC valves. These valves can be combined in a standard manifold. They are not supplied with manual override.
- Supply pressure is through the tube. These valves cannot be combined in a standard manifold. They are supplied with manual override.

When using a manifold with more than 8 stations, it is advisable to use two air supplies, one at each end.

Dimensions



*Standard valve orientation : Manual override and base port on the same side

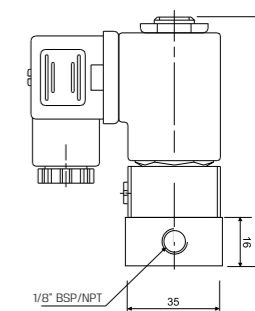


$$A = 80 + (n - 2) \times 33$$

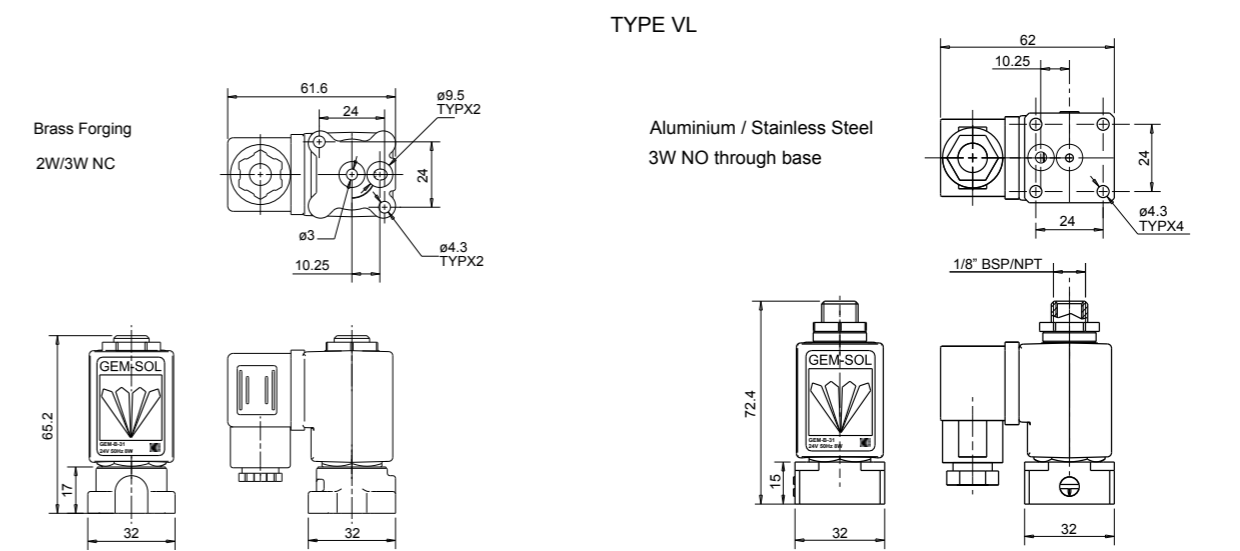
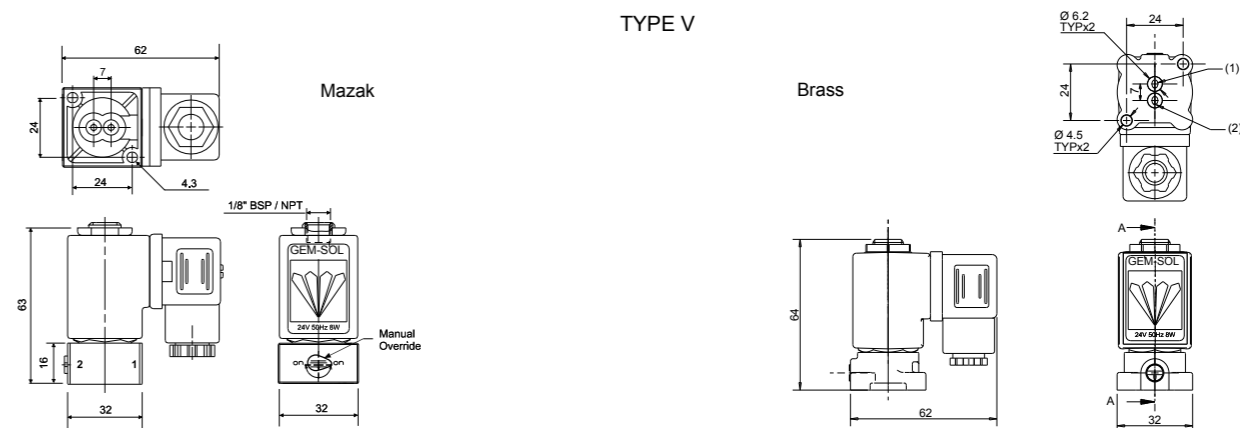
$$B = 72 + (n - 2) \times 33$$

n = the number of valves

Example : For 6 Valves
 $A = 80 + 4 \times 33 = 212$
 $B = 72 + 4 \times 33 = 204$



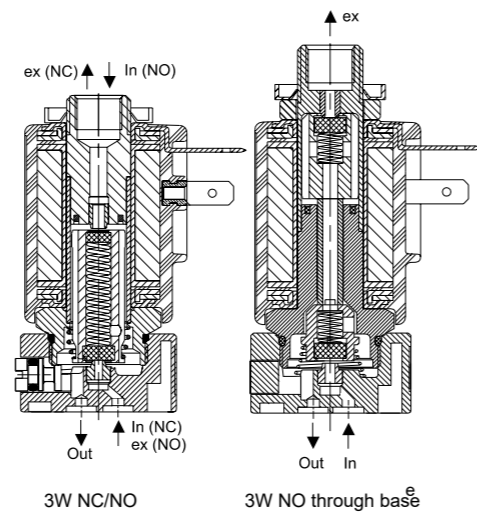
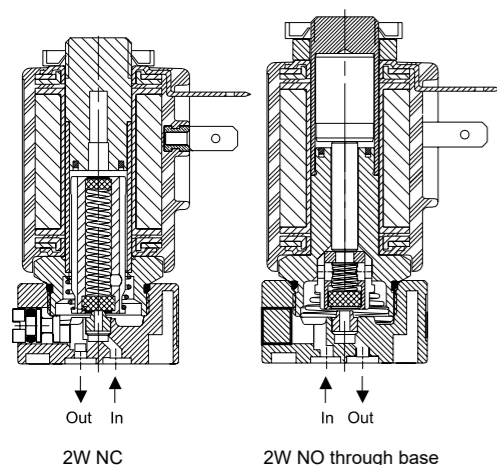
*Pressure separation plug can be ordered on request.



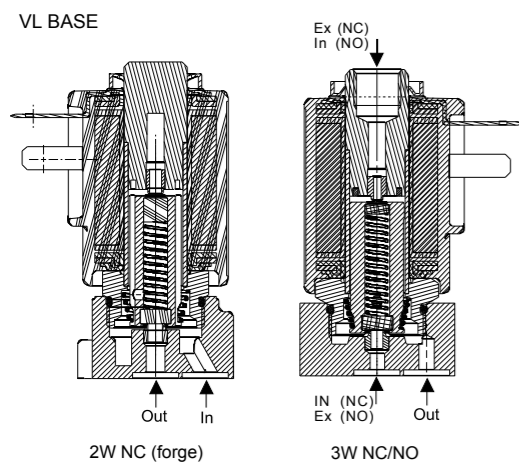
SOLENOID VALVES | General Purpose

Direct Operated | Manifolds | GEM-SOL

Type V 2 Way, 3 Way NC, NO



Type VL 2 Way, 3 Way NC, NO



Size : Any number of stations, built from three basic components: left end section, right end section and middle section.
 Assembly : Push in and turn 90° clockwise
 Port size : 1/8" BSP or NPT
 Material : Mazak, Brass

How to Order manifold components

GEM-V	PORT	COMPONENT	BODY
BSP	10	Left	1 Mazak
NPT	11	Right	2 Brass
		Middle	3

Example : GEM-V-1021

GEM-SOL V type manifold 1/8" BSP, right component, Mazak body.

GEM-V - 10 2 1

Max. Pressure (bar) 2W, 3W NC table

Coil Current/Power	Orifice (mm)					
	0.8	1.2	1.6	2.0	2.4	3.0
• ADC	23	20	15	10	8	5.5
AC8W, DC10W	35	30	17	14	10	6
AC5.5W	23	20	15	10	8	5.5
AC2.5W, DC5.5W, DC3.5W	20	16	10	9	5	4
Flow factor Kv(l/min)	0.6	1.1	1.7	2.5	3.5	4.5

Max. Pressure (bar) 2W, 3W NO table

Coil Current/Power	Orifice (mm)					
	0.8	1.2	1.6	2.0	2.4	3.0
• ADC	25	20	15	11	8	6
*AC8W, DC10W	30	22	17	12	10	7
*AC5.5W, DC5.5W	25	20	15	11	8	6
*AC2.5W, DC3.5W	20	18	12	8	6	4
Flow factor Kv(l/min)	0.6	1	1.4	2.2	3.0	3.5

* These are not applicable for NO through base valves
 • ADC valves are only suitable for use with AC8W or DC10W coils.

Voltage & Power Consumption

V	AC (W)						DC (W)		
	50 Hz			60 Hz			10	5.5	3.5
	8	2.5	8	5.5	2.5				
6							•	•	•
12	•			•			•	•	•
24	•	•		•	•		•		•
48	•			•			•		
110	•			•	•		•		
120	•			•					
220	•	•		•			•		
230	•	•		•	•				
240	•			•			•		

• Available options

* To order manifolds manufactured according to your specific requirements, please contact our technical sales department.

Direct Operated | Manifolds | GEM-SOL

How to Order | GEM-V manifold | all valves having identical functions

GEM-V	No. of VALVES / specify quantity	No. of STATIONS / specify quantity without manifold	PORT	BODY	FUNCTION	ORIFICE	SEALS	MANUAL OVERRIDE	VOLTAGE	POWER	CONNECTOR	
		0	1/8" BSP	10 Mazak	1 2W NC	1 0.8	1 NBR	N None	0	W/out coil	0 No coil	0 without
			1/8" NPT	11 Brass	2 2W NO	2 1.2	2 FKM	V Plastic	1	6	1 AC8W 50Hz	1 with
					2a 2W NO	3 1.6	3 EPDM	E Slot	2	12	2 AC8W 60Hz	2 with LED
					3 3W NC	4 2.0			3	24	3 DC10W	3 with bi-color LED
					4 3W NO	5 2.4			4	48	4 AC5.5W 50Hz	4 flying leads coil
					4a 3W NO				5	110	5 AC5.5W 60Hz	5 with 1/2" Hub
									6	120	6 AC2.5W 50/60Hz	6 connector with moulded cable
									7A	220	7A DC5.5W	7 other
									8	230	8 DC3.5W	8
									9	240	9 Latch/other	9

Example : GEM-V-6/6-10132V2-220
 GEM-SOL direct operated sub-base V type, 1/8" BSP with Mazak body, 3WNC, 1.2, FKM, slot M/O, 12V AC 8W 60Hz without connector.

GEM-V - 6 6 10 1 3 2 V 2 2 2 0

(1) Supply pressure through base
 (2) For specifying Latch type coil, please refer to GEM-A3P valve - How to Order table.

How to Order | GEM-V | individual valves with independent functions

GEM-V	No. of VALVES / specify quantity	No. of STATIONS / specify quantity	PORT	BODY	FUNCTION	ORIFICE	SEALS	MANUAL OVERRIDE	VOLTAGE	POWER	CONNECTOR
As above table											

GEM-SOL direct operated sub-base V type of which :
 Example : GEM-V-2/6-10132NO-221 : 2/6 stations with 1/8" BSP Mazak, 3WNC, 1.2, NBR, no M/O, 12V AC 8W 60Hz with connector
 Example : GEM-V-3/6-10142NO-221 : 3/6 stations with 1/8" BSP Mazak, 3WNO, 1.2, NBR, no M/O, 12V AC 8W 60Hz with connector
 Example : GEM-V-1/6-10112NO-221 : 1/6 stations with 1/8" BSP Mazak, 2WNC, 1.2, NBR, no M/O, 12V AC 8W 60Hz with connector

How to Order | GEM-V body

GEM-V-BODY	PORT	BODY	FUNCTION	ORIFICE	SEALS	MANUAL OVERRIDE	VOLTAGE	POWER	CONNECTOR	
1/8" BSP	10	Mazak	1 2W NC	1 0.8	1 NBR	N None	0	W/out coil	0 No coil	0 without
1/8" NPT	11	Brass	2 2W NO	2 1.2	2 FKM	V Plastic	1	6	1 AC8W 50Hz	1 with
			2a 2W NO	3 1.6	3 EPDM	E Slot	2	12	2 AC8W 60Hz	2 with LED
			3 3W NC	4 2.0			3	24	3 DC10W	3 with bi-color LED
			4 3W NO	5 2.4			4	48	4 AC5.5W 50Hz	4 flying leads coil
			4a 3W NO				5	110	5 AC5.5W 60Hz	5 with 1/2" Hub
							6	120	6 AC2.5W 50/60Hz	6 connector with moulded cable
							7A	220	7A DC5.5W	7 other
							8	230	8 DC3.5W	8
							9	240	9 Latch/other	9

Example : GEM-V-BODY-10132V2-220
 GEM-SOL direct operated V type valve, 1/8" BSP with Mazak body, 3WNC, 1.2, FKM, slot M/O, 12V AC 8W 60Hz without connector.

GEM-V-BODY - 10 1 3 2 V 2 2 2 0

(1) Supply pressure through base
 (2) For specifying Latch type coil, please refer to GEM-A3P valve - How to Order table.

How to Order | GEM-VL

GEM-VL	PORT	BODY	FUNCTION	ORIFICE	SEALS	MANUAL OVERRIDE	VOLTAGE	POWER	CONNECTOR	
1/8" BSP	10	Mazak	1 2W NC	1 0.8	1 NBR	N None	0	W/out coil	0 No coil	0 without
1/8" NPT	11	Brass	2 2W NO	2 1.2	2 FKM	V Plastic	1	6	1 AC8W 50Hz	1 with
			2a 2W NO	3 1.6	3 EPDM	E Slot	2	12	2 AC8W 60Hz	2 with LED
			3 3W NC	4 2.0			3	24	3 DC10W	3 with bi-color LED
			4 3W NO	5 2.4			4	48	4 AC5.5W 50Hz	4 flying leads coil
			4a 3W NO				5	110	5 AC5.5W 60Hz	5 with 1/2" Hub
				3.0	6		6	120	6 AC2.5W 50/60Hz	6 connector with moulded cable
							7A	220	7A DC5.5W	7 other
							8	230	8 DC3.5W	8
							9	240	9 Latch/other	9

Example : GEM-VL-1021V0-221
 GEM-SOL direct operated VL type valve, 1/8" BSP with brass body, 2WNC, 0.8, FKM, no M/O, 12V AC 8W 60Hz with connector.

GEM-VL - 10 2 1 1 V 0 2 2 1

(1) Supply pressure through base
 (2) For specifying Latch type coil, please refer to GEM-A3P valve - How to Order table.

*Note: Manifolds are not available for VL valves