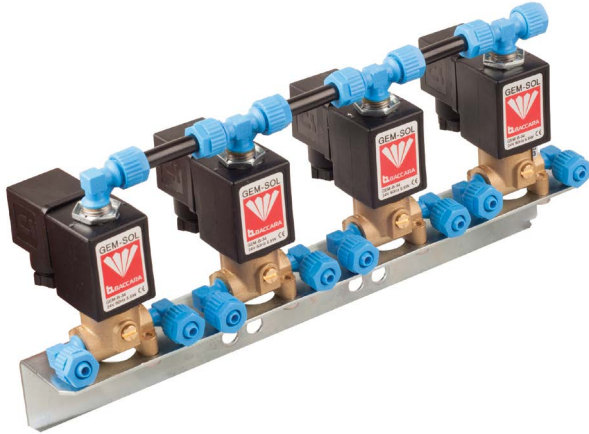
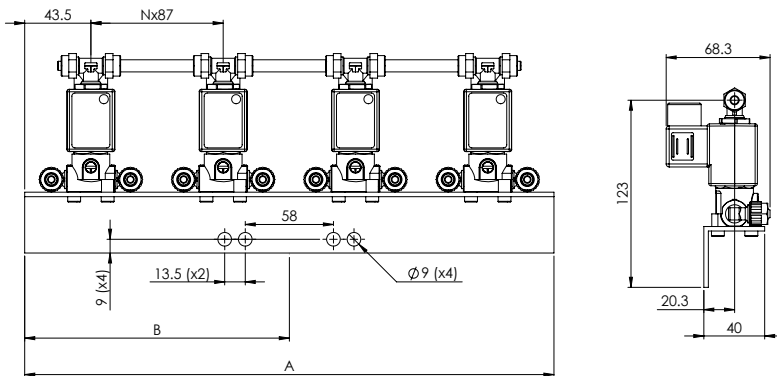


SOLENOID MANIFOLDS

GEM-M | Manifold



Dimensions



#Stations	3	4	5	6	7	8	9	10	11	12
A	261	348	435	522	609	696	783	870	957	1044
B	130.5	174	217.7	261	304.5	348	391.5	435	478.5	522

How to Order

GEM-M	-	TYPE	# STATIONS	Please refer to the "How to Order" definitions of GEM-A valve
		GEM-SOL	2	
			2	2
			3	3
			4	4
			5	5
			6	6
			7	7
			8	8
			9	9
			10	10

Example : GEM-M-25-GEM-A-21035N0

GEM-SOL manifold installation, 5 stations with GEM-A direct operated, brass 1/8"BSP, 3W NC, 2.4 orifice, NBR, no manual override

GEM-M - 2 - 5 - GEM-A - 2 - 10 - 3 - 5 - N - 0

* To order manifolds manufactured according to your specific requirements, please contact our technical sales department