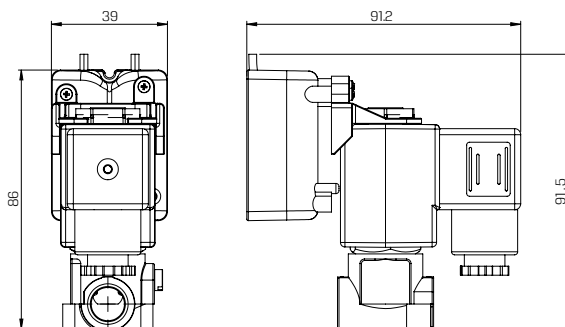
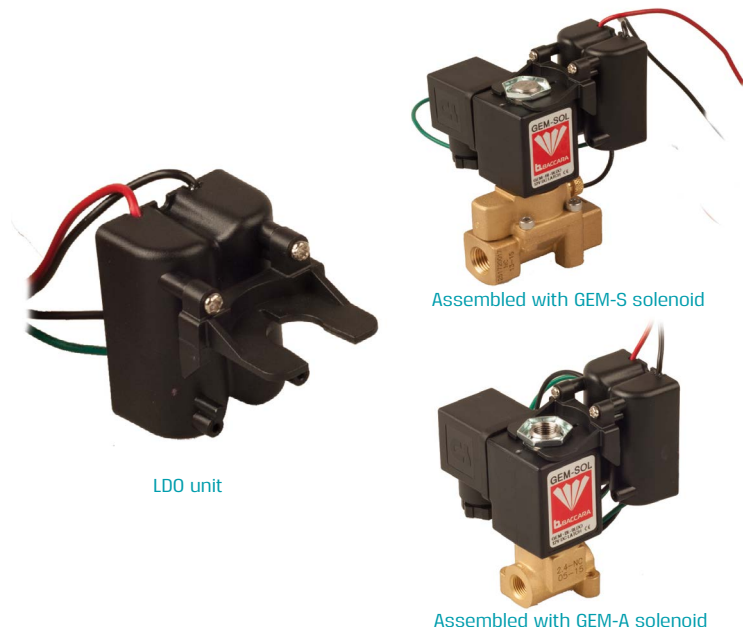


SOLENOID VALVES | Special Purpose

Long Distance | GEM-SOL

GEM-LDO | Long distance operator 2 Way, 3 Way NC, NO



A small section conductor can be used at a distance of up to 5 kms

Technical Data

Function	2 Way, 3 Way NC, NO
Current	Holding 4mA
Pressure range	Refer to working pressure definitions of the valve that the GEM-LDO is assembled on, with DC10W/AC8W
Power	<ul style="list-style-type: none"> DC12V (0.05W) up to DC24V (0.1W) 24V AC: 0.3W
Connection	Red/Black - power supply Green/Black - coil Lead wire length - 28cm PVC coated AWG 18 UL 1007
Ambient temp	-10°C to 70°C
Operation	Only with GEM-BL-LDO coil and Baccara valve
Applications	<ul style="list-style-type: none"> Cost saving wiring for remote solenoid operation Power saving and heat prevention on continuous energized solenoid
Voltage	Voltage and power consumption - see table
Standard protection class	IP67 (LDO only)

Voltage	Distance (km)	Conduit section (mm ²)	Delay Time (sec)	
			On	Off
12/24	0		3	1
12	5	0.5	12	1
24	5	0.5	8	1

* Max conduit resistance 390Ω at nominal voltage

Voltage & Power Consumption

V	AC (W)		DC(W)	
	50 Hz	60 Hz	0.05	0.1
12			•	
24	•	•		•

• Available options

* For recommended wire parameters, please refer to Long distance operators charts

How to Order

GEM-LDO - VOLTAGE - Please refer to the "How to Order" definitions of the assembled GEM-SOL valve.

24 VAC & 12-24 VDC 9

Example : GEM-LDO-9-GEM-A-21035NO

GEM-LDO is attached to a GEM-SOL latch coil, direct operated, brass 1/8" BSP, 3W NC, 2.4 orifice, NBR, no manual override.

GEM-LDO - 9 - GEM-A - 2 10 3 5 N 0

* To order valves manufactured according to your specific requirements, please contact our technical sales department.