



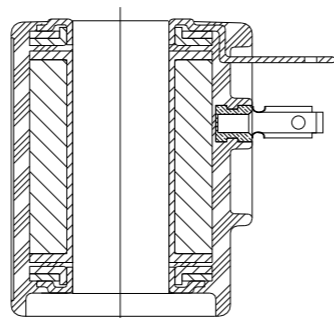
GEM-B | Coil



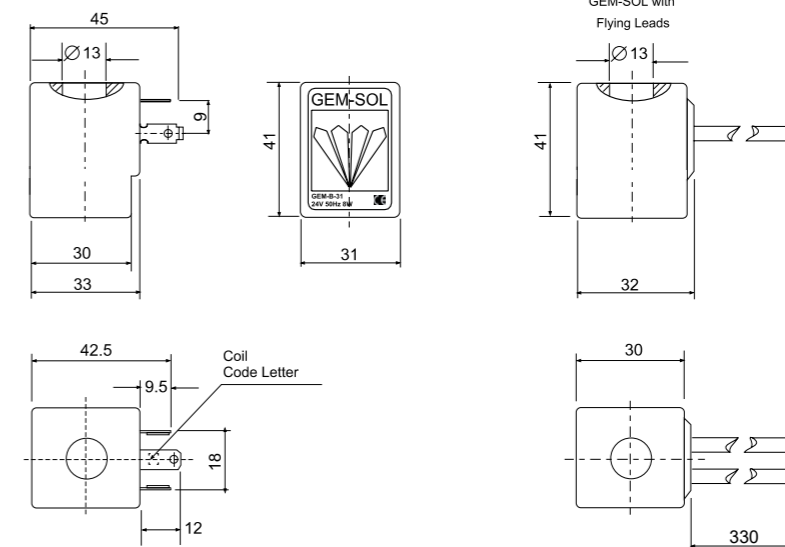
DIN Connector

Flying Leads

LED Connector



Dimensions



Technical Data

Coil winding insulation	H 180°C
Temperature range	Coil : -20°C to 150°C Ambient : -20°C to 70°C
Duty cycle *	100% ED
Electrical connection	<ul style="list-style-type: none"> AMP pins, DIN 46242, 2 poles + 1 earth 2 flying leads, 18 AWG (0.75mm²), 330 mm length
Connector	<ul style="list-style-type: none"> DIN 43650 PG9 or 1/2" NPT * Max. tightening torque for the connector screw : 0.5 Nm
Assembly	In any position
Coil fixing	One nut G1/4" hexagonal 19mm
Impregnation	Optional
Coil voltage	<ul style="list-style-type: none"> Voltage and power consumption - see table All Baccara coil voltages are ±10% of nominal
Standard / Certification	CE
Standard protection class	IP65 with connector * Option : IP68 (please refer to GEM-BP Coil)

- The coil should not be energized without being assembled on the operator
- Please consult with our technical sales department :
 - for further information on using different power coils (not shown in the table)
 - for long term operation

Power Consumption table (AC)

Type	Inrush	Holding
8W	26VA-13W	16VA-8W
5.5W	16VA-8W	12VA
2.5W	2.5W	2.5W

Power Consumption table (DC)

Type
10W
5.5W
2.5W

Voltage & Power Consumption

V	AC (W)						DC (W)		
	50 Hz			60 Hz			10	5.5	3.5
6							•	•	•
12	•			•			•	•	•
24	•	•	•	•	•	•	•	•	•
48	•			•			•		
110	•			•	•		•		
120	•			•					
220	•	•	•	•			•		
230	•	•		•	•				
240	•			•			•		

• Available options

How to Order

GEM-B	-	VOLTAGE	POWER	CONNECTOR
6	1	AC8W 50Hz	1	without 0
12	2	AC8W 60Hz	2	with 1
24	3	DC10W	3	with LED 2
48	4	AC5.5W 50Hz	4	with bi-color LED 3
110	5	AC5.5W 60Hz	5	flying leads coil 4
120	6	AC2.5W 50/60Hz	6	with 1/2" hub 5
220	7A	DC5.5W	7	surge protection with LED 6
230	7	DC3.5W	8	connector with moulded cable 7
240	8			other 9
Latch/ other ⁽¹⁾	9			

Example : GEM-B-341

GEM-SOL Coil 24V AC 5.5W 50Hz with connector.

GEM-B - 3 4 1

(1) For specifying Latch type coil, please refer to GEM-A3P valve - How to Order table.

* To order coils manufactured according to your specific requirements, please contact our technical sales department.