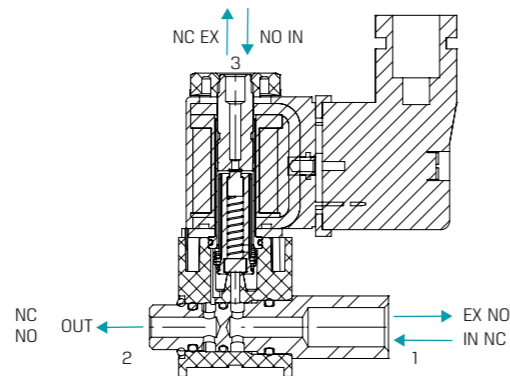


# SOLENOID VALVES | General Purpose

Direct Operated | 3W

G80-BNJ | 1/8", 3 Way NC, NO



### Technical Data

Function	3 Way NC, NO
Ports size	1/8" BSP
Orifice size	See table
Pressure range	See table
Kv (l/min)	See table
Temperature range	<b>Fluid</b> : -10°C to 80°C (no freezing) <b>Ambient</b> : -10°C to 50°C
Materials in contact with media	<b>Manual override:</b> Plastic
	<b>Main Valve:</b> Plastic (PA6 + FG) Metal Insert : Stainless Steel AISI 303
Media	<b>Solenoid Operator</b> Stainless Steel AISI 300 & 400 series & Brass
	<b>Seals:</b> NBR, FKM, EPDM
Coil voltage	• Voltage and power consumption - see table • All Baccara coil voltages are ± 10% of nominal
Standard protection class	IP65 with connector

### Max. Pressure (bar) 3W NC table

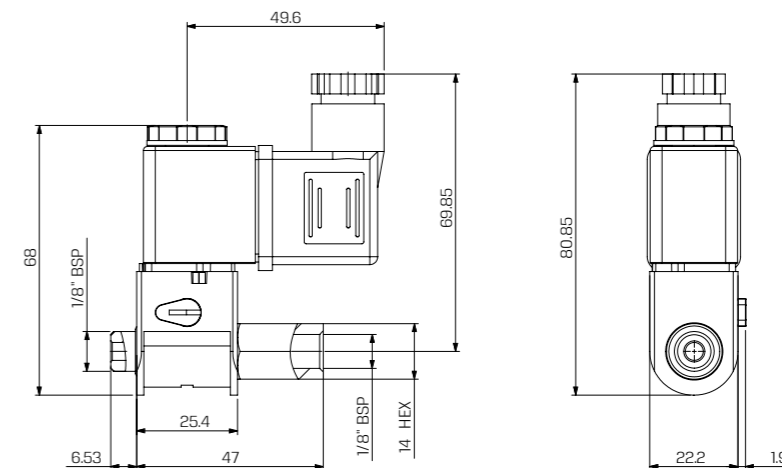
Coil Current/Power	Orifice (mm)
	2.0
AC - 75W	7
DC - 6.5W <sup>(2)</sup>	7
Flow factor Kv(l/min)	1.4

### Max. Pressure (bar) 3W NO table

Coil Current/Power	Orifice (mm)
	1.6
AC - 75W	7
DC - 6.5W <sup>(2)</sup>	7
Flow factor Kv(l/min)	0.7

Direct Operated | 3W | G80 | 1/8" NC, NO

### Dimensions



### Model Selection

- STANDARD** | Reduced lead times, No MOQ.
- SEMI-STANDARD** | Normal lead times, No MOQ.
- SPECIAL** | Extended lead times, Non-stock items, MOQ may be applicable. For a quote, please contact our sales department.

### How to Order

G80-BNJ	BODY	PORT	FUNCTION	ORIFICE <sup>(1)</sup>	SEALS	MANUAL OVERRIDE
	Plastic 4	1/8" BSP 10	3W NC 3 3W NO 4	1.6 3 2.0 4	NBR N FKM V EPDM E	Plastic 1

\* For available options, please refer to **VOLTAGE & POWER CONSUMPTION** table below

VOLTAGE	POWER	CONNECTOR
W/out coil 0	No coil 0	None 0
12 2	AC75W 50Hz 1	with 1
24 3	DC6.5W <sup>(2)</sup> 3	with bi-color LED 2
110 5		surge protection with LED 3
230 7		flying leads coil 4
		other 9

### Voltage & Power Consumption

V	AC (W)			DC (W)	
	50 Hz	60 Hz		6.5	3
6					
12				▲	
24	▲			▲ <sup>(2)</sup>	
110	▲				
230	▲				

Available options:  
 ▲ STANDARD  
 ● SEMI-STANDARD  
 ■ SPECIAL

Example : G80-BNJ-41034N1-331

G80 direct operated, plastic, 1/8" BSP, 3W NC, 2.0 orifice, NBR, plastic manual override, 24VDC 6W with connector

G80-BNJ - 4 10 3 4 N 1 - 3 3 1

(1) 3W NC available with 2.0mm orifice, 3W NO available with 1.6mm orifice  
 (2) 24VDC is 6Watt, 12VDC is 6.5Watt

\* When ordering without coil, please define what current and pressure rating is needed (DC, AC)

\* To order valves manufactured according to your specific requirements, please contact our technical sales department.