

# SOLENOID VALVES | General Purpose

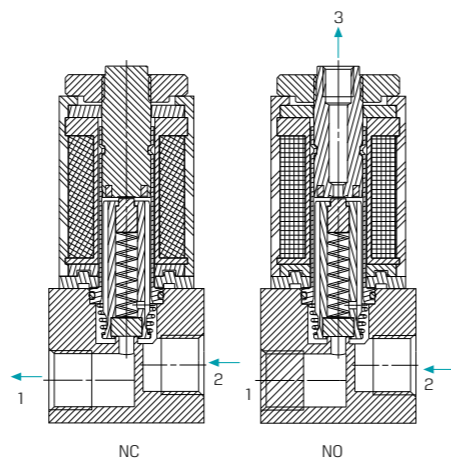
Direct Operated | 2W

G80-A | 2 Way NC, NO



Brass | #10UNF

Aluminium | plastic manual override



## Technical Data

Function	2 Way NC, NO
Ports size	1/8" BSP, NPT, #10UNF, M5
Orifice size	See table
Pressure range	<ul style="list-style-type: none"> <li>See table</li> <li>Valves for pressure higher than 12 bar cannot be supplied with manual override</li> </ul>
Kv (l/min)	See table
Temperature range	<b>Fluid</b> : -10°C to 80°C (no freezing) <b>Ambient</b> : -10°C to 50°C
Materials in contact with media	<b>Manual override:</b> Plastic * Maximum pressure : 16 bar <b>Main Valve:</b> Aluminium, Stainless Steel AISI 316, Brass <b>Solenoid Operator</b> Stainless Steel AISI 300 & 400 series, Brass <b>Seals:</b> NBR, FKM, EPDM, FFKM
Media	Air, water, oil
Coil voltage	<ul style="list-style-type: none"> <li>Voltage and power consumption - see table</li> <li>All Baccara coil voltages are ± 10% of nominal</li> </ul>
Standard protection class	IP65 with connector

## Max. Pressure (bar) 2W NC table

Coil Current/Power	Orifice (mm)					
	1.0	1.2	1.6	2.0	2.4	3.0
AC - 75W	40	35	35	12	10	8
AC - 4W	40	30	15	8	6	5
DC - 6.5W <sup>(5)</sup>	40	35	20	12	10	7
DC - 3W	40	30	15	5	4	2.5
Flow factor Kv(l/min)	0.5	0.65	1.2	1.6	2	2.6

## Max. Pressure (bar) 2W NO table

Coil Current/Power	Orifice (mm)	
	1.2	1.6
AC - 4W	15	10
DC - 3W	15	10
Flow factor Kv(l/min)	0.4	0.7

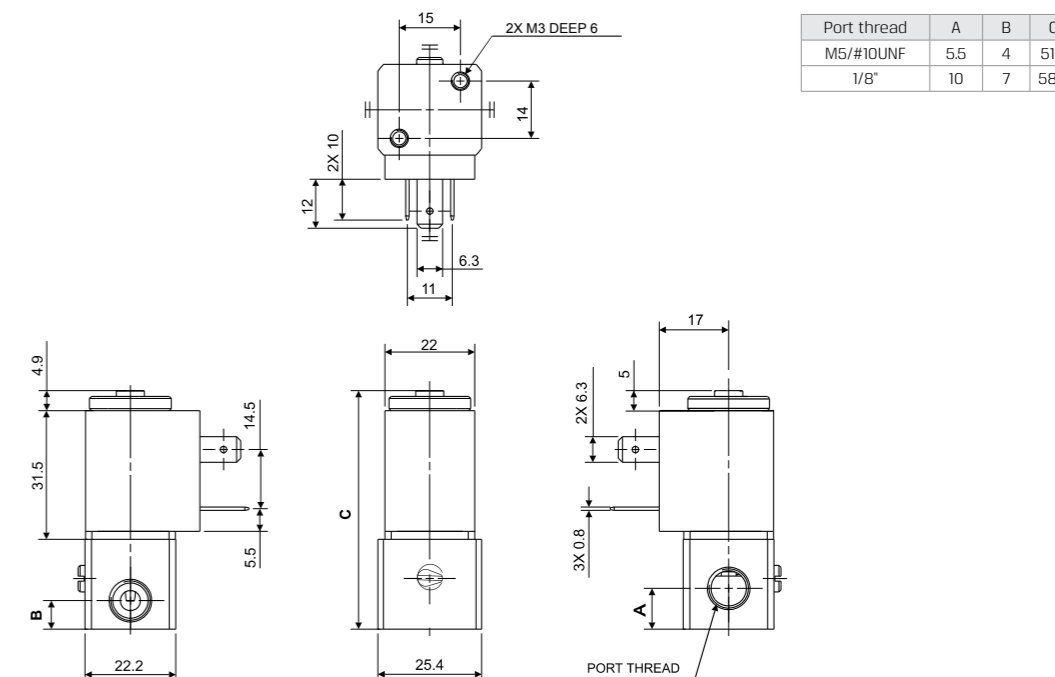
## Voltage & Power Consumption

V	AC (W)				DC (W)	
	75	4	6	3	6.5	3
6					•	•
12	•	•	•	•	•	•
24	•	•	•	•	• <sup>(5)</sup>	•
110	•	•	•	•		
230	•	•	•	•		

• Available options

Direct Operated | 2W | G80 | NC, NO

## Dimensions



Port thread	A	B	C
M5/#10UNF	5.5	4	51.5
1/8"	10	7	58.5

## How to Order

G80-A	BODY <sup>(1)</sup>	PORT	FUNCTION	ORIFICE	SEALS	MANUAL OVERRIDE	* When ordering without coil, please define what current and pressure rating is needed (DC, AC)			
							VOLTAGE	POWER	CONNECTOR	
	Aluminium 1	M5	00	2W NC 1	1.0 1	NBR N	None 0	W/out coil 0	No coil 0	without 0
	Brass 2	#10UNF	01	2W NO 2	1.2 2	FKM V	Plastic <sup>(4)</sup> 1	6 1	AC7.5W 50Hz	1 with 1
	Stainless Steel 3	1/8" BSP	10		1.6 3	EPDM E		12 2	AC6W 60Hz	2 with bi-color LED 2
24 3								DC6.5W <sup>(5)</sup>	3 surge protection with LED 3	
110 5								AC4W 50Hz	4 flying leads coil 4	
		1/8" NPT	11		2.0 <sup>(2)</sup> 4	FFKM <sup>(3)</sup> K		230 7	AC3W 60Hz	5 other 9
					2.4 <sup>(2)</sup> 5			other 9	DC3W 7	
					3.0 <sup>(2)</sup> 6					

Example : G80-A-10011V0-320

G80 direct operated, aluminium, M5 port, 2W NC, 1.0mm orifice, FKM, without manual override, 24VAC 6W 60Hz, without connector.

G80-A - 1 00 1 1 V 0 - 3 2 0

- (1) For Stainless Steel tube, add "s": e.g. G80-A-Xs-X-X-X-X-X-X-X-X-X-X
- (2) NC only
- (3) FFKM O-ring is available only upon request. When ordering FFKM seals, please consult with our technical sales department about O-ring compound.
- (4) Maximum pressure : 16 bar
- (5) 24VDC is 6Watt, 12VDC is 6.5Watt

\* To order valves manufactured according to your specific requirements, please contact our technical sales department.