

ELECTRIC/HYDRAULIC VALVES | GEM & G75

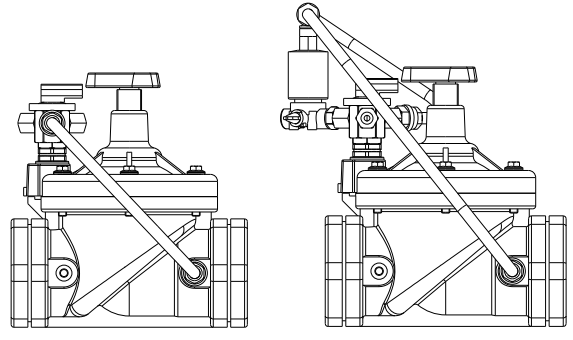
G75-SM | 3 Way Manual selector 3/4" - 2" NC, NO



3W Manual selector | 1"



3W Manual selector | 2"
with solenoid



3W Manual selector

Manual selector with external
3W NO solenoid

Technical Data

Solenoid	Supplied with 3W 12mm G75 solenoid
Assembly	Supplied with finger filter and accessories
Manual override	Manual override with 3 positions : <ul style="list-style-type: none"> • AUTO - for automatic operation (valve is open when solenoid is energized) • MANUAL - valve is kept open • CLOSE - valve is kept closed
Pressure	A minimum pressure differential of 1 bar is required

• For technical information, refer to G75-S | Electric 3/4" - 2" 2 Way NC

Coil resistance vs input voltage range

Resistance [Ω]	Suitable input voltage range [V]
4	6 - 9
9	12 - 14
12	14 - 16
23	18 - 21

How to Order

G75-SM	-	PORT	FUNCTION ⁽¹⁾	FLOW CONTROL	VOLTAGE ⁽⁴⁾	WIRES	
		3/4" BSPT	50	2W NC 1	with 5	No solenoid (hydraulic) 0	two null
		3/4" NPT	51	2W NO 2	without ⁽²⁾ 6	24V AC 1	three ⁽³⁾ a
		1" BSPT	60			24V AC w/out Diode 1R	
		1" NPT	61			12V AC 3	
		1-1/2" BSPT	70			12V DC 4	
		1-1/2" NPT	71			24V DC 5	
		2" BSPT	80			23 Ω 6	
		2" NPT	81			4 Ω B	
						9 Ω C	
						12 Ω D	

Example : G75-SM-70151

G75 3 Way manual selector valve, 1-1/2" BSPT, 2W NC with flow control, 24V AC, two wires

G75-SM - 70 1 5 1

(1) Refers to the valve : 3W NC solenoid = NO valve
3W NO solenoid = NC valve

(2) For 3/4", 1" valves only

(3) For Latch only

(4) For Latch : Refer to coil resistance vs input voltage table

* To order valves manufactured according to your specific requirements, please contact our technical sales department