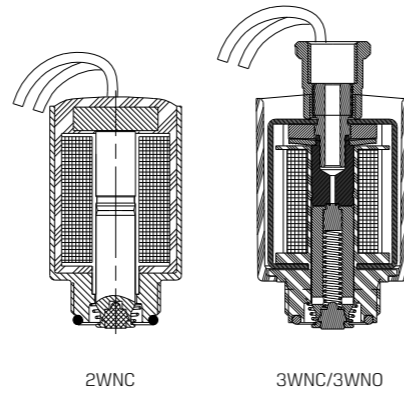


# SOLENOID VALVES

## G75-0 | Latch Operator 2 Way, 3 Way NC, NO

Applicable for G75-A, GALIT, G75-S & G75-Z valves



### Technical Data

Function	2 Way, 3 Way NC, NO Latch
Orifice size	2 Way : No orifice 3 Way : See table
Pressure range (bars)	See solenoid valve performances
Capacitors	• 4700µF for 9V DC • 2200µF for 12V DC
Switching time	25-50 ms
Temperature range	<b>Fluid :</b> 5°C to 50°C (no freezing) <b>Ambient :</b> -10°C to 50°C
Materials in contact with media	<b>Housing:</b> Reinforced Nylon 66 <b>Plunger &amp; pole:</b> Stainless Steel AISI 430F <b>Rubber Seals:</b> EPDM <b>Encapsulate:</b> Polyurethane <b>Spring:</b> Stainless Steel AISI 300 series
Threads on operator tube	G1/8" or 1/8" NPT female to connect exhaust, muffler etc
Two wire operator	One coil with exit of 2 lead wires. To pull the plunger up, connect the black wire (-) and the green to the (+).
Three wire operator	One coil and an integrated electrical circuit. To pull plunger up, pulse is given to the red wire (-). To release the plunger, pulse is given to the black wire (-). Operate only by a controller.
Electrical connection	• Lead wires 35 cm, 18 AWG (0.75mm <sup>2</sup> ) (black/green) • Lead wires : red, white, black for 3 wires
Voltage	9, 12V DC (coils for other voltages available)
Standard protection class	IP66

• Available with brass adaptor

### Working pressure (bar) 2W NC

Orifice (mm)	up to 2.0
Pressure (bar)	12

### Working pressure (bar) 3W NC

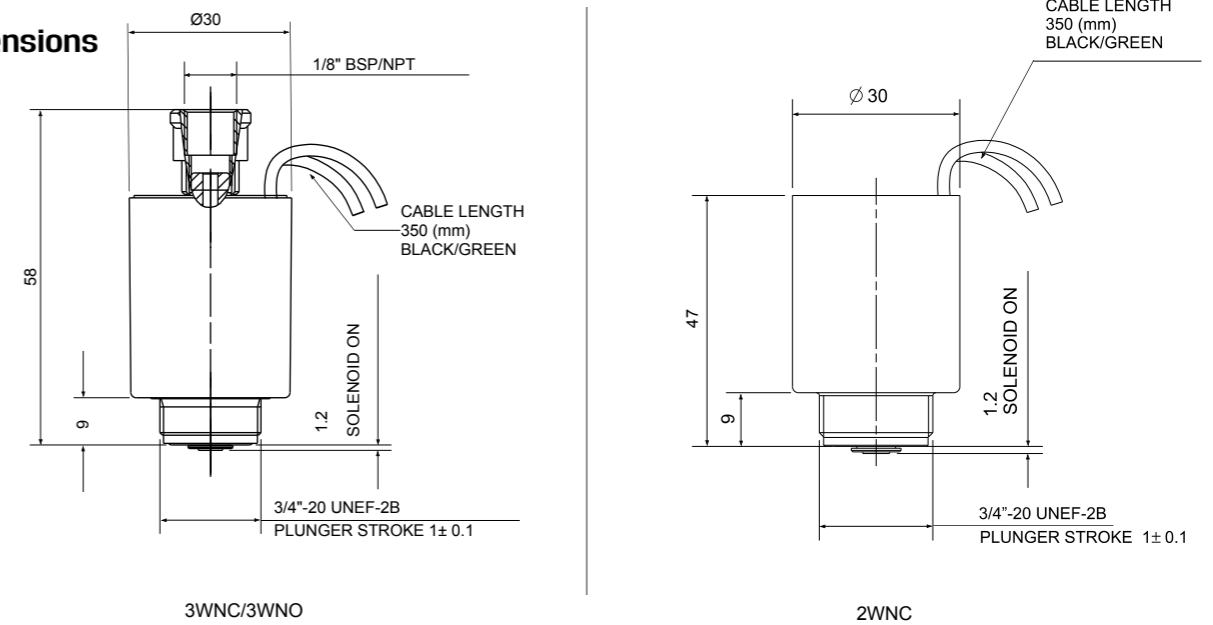
Orifice (mm)	1.0	1.2	1.6
AC Pressure (bar)	16	11	6

### Working pressure (bar) 3W NO

Orifice (mm)	1.0	1.2	1.6
Pressure (bar)	16	12	10

## G75-0 | Latch Operator 2 Way, 3 Way NC, NO

### Dimensions



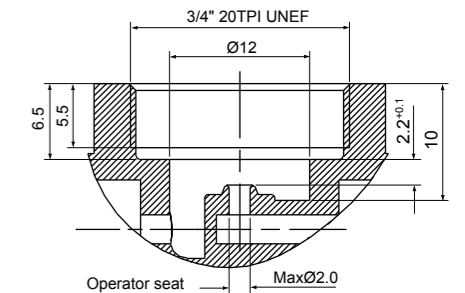
### How to Order

2W

G75-0	-	FUNCTION	VOLTAGE VDC <sup>(1)</sup>	WIRES
		2W NC 1	4Ω B	two null
			9Ω C	three a
			12Ω D	
			23Ω 6	

3W

G75-0	-	PORT	FUNCTION	ORIFICE
		1/8" BSP 10	3W NC 3	1.0 1
		1/8" NPT 11	3W NO 4	1.2 2
				1.6 3

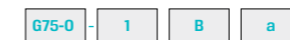


### Coil resistance vs input voltage range

Resistance [Ω]	Suitable input voltage range [V]
4	6 - 9
9	12 - 14
12	14 - 16
23	18 - 21

Example : G75-0-1-Ba

G75 latch solenoid operator, 2W NC, 4Ω, 3 wires



Example : G75-0-1042-Ca

G75 latch solenoid operator, 1/8" BSP, 3W NO, 1.2 orifice, 9Ω, 3 wires



(1) Refer to coil resistance vs input voltage table

\* To order operators manufactured according to your specific requirements, please contact our technical sales department