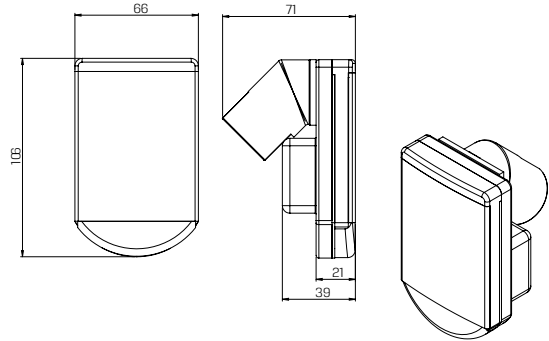


INSTRUMENTATION & CONTROL

Water Meter Controller

G75-BWM | Baccara Water Meter Controller



- Single station water volume controller
- Connected to a water meter with pulse outlet
- Opens at a set time and closes when required water volume has been reached

Technical Data

Temperature range	-10° to 60°C
Electrical	Powered by single 9V alkaline battery; use best quality to ensure at least one year's autonomous operation. <ul style="list-style-type: none"> • Back-up memory • Low battery warning • Power saving LCD • Battery included
Mounting	Various mounting options : <ul style="list-style-type: none"> • Directly on a 28mm diameter solenoid in horizontal or vertical position with adaptor • Wall mounting with four screws • Accessories provided
Solenoid	Compatible with G75 4Ω latch operator
Measurement units per pulse	100 liters 1m³ 10m³ 100 gallons 1000 gallons
Software	<ul style="list-style-type: none"> • 24 hours real time clock • See 'Programming key features' table
Options	Solar panel, charger
Standard protection class	<ul style="list-style-type: none"> • Dust and watertight • IP67 and NEMA 4X

Programming key features

Set start time
Set required water volume
Day select
OFF

How to Order

G75-BWM	-	VALVE
		No valve 00
		3/8" BSP 30
		3/8" NPT 31
		1/2" BSP 40
		1/2" NPT 41
		3/4" BSP 50
		3/4" NPT 51
		1" BSP 60
		1" NPT 61
		1-1/2" BSP 70
		1-1/2" NPT 71
		2" BSP 80
		2" NPT 81
		G75-A *

* G75-A

	TYPE	PORT	FUNCTION	MANUAL OVERRIDE	ORIFICE
with flange	1	1/8" BSP	10	2W NC	1
without flange	2	1/8" NPT	11	3W NC	2
Brass	3	1/4" BSP (1)	20	3W NO	3
		1/4" NPT (1)	21		

1) Example : G75-BWM-G75-A-110102
G75-A with flange, 1/8" BSP, 2W NC,
no manual override, 1.2 orifice

G75-BWM - G75-A - 1 10 1 0 2

* To order controllers manufactured according to your specific requirements, please contact our technical sales department.