

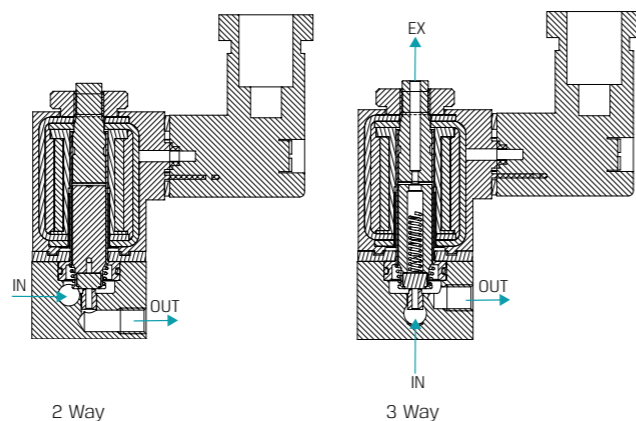
# SOLENOID VALVES | General Purpose

## Direct Operated | Manifolds

### G65-M | Solenoid Valves Manifold



3 Stations



#### Technical Data

|                                 |                                                                                                                                                 |
|---------------------------------|-------------------------------------------------------------------------------------------------------------------------------------------------|
| Function                        | 2 Way, 3 Way NC                                                                                                                                 |
| Ports size                      | M5, #10UNF                                                                                                                                      |
| Orifice size                    | See table                                                                                                                                       |
| Pressure range                  | See table                                                                                                                                       |
| Kv (l/min)                      | See table                                                                                                                                       |
| Temperature range               | <b>Fluid</b> : -10°C to 80°C (no freezing)<br><b>Ambient</b> : -10°C to 50°C                                                                    |
| Materials in contact with media | <b>Main Valve:</b><br>Aluminium<br><b>Solenoid Operator:</b><br>Stainless Steel AISI 300 & 400 series, Brass<br><b>Seals:</b><br>NBR, FKM, EPDM |
| Media                           | Air, water, oil                                                                                                                                 |
| Coil voltage                    | • Voltage and power consumption - see table<br>• All Baccara coil voltages are ± 10% of nominal                                                 |
| Standard protection class       | IP65 with connector                                                                                                                             |

#### Max. Pressure (bar) 2W, 3W NC table

| Coil Current/Power    | Orifice (mm) |     |      |
|-----------------------|--------------|-----|------|
|                       | 0.8          | 1.0 | 1.2  |
| AC - 3.6VA            | 10           | 8.5 | 5.5  |
| DC - 3W               | 10           | 8.5 | 5.5  |
| Flow factor Kv(l/min) | 0.4          | 0.5 | 0.65 |

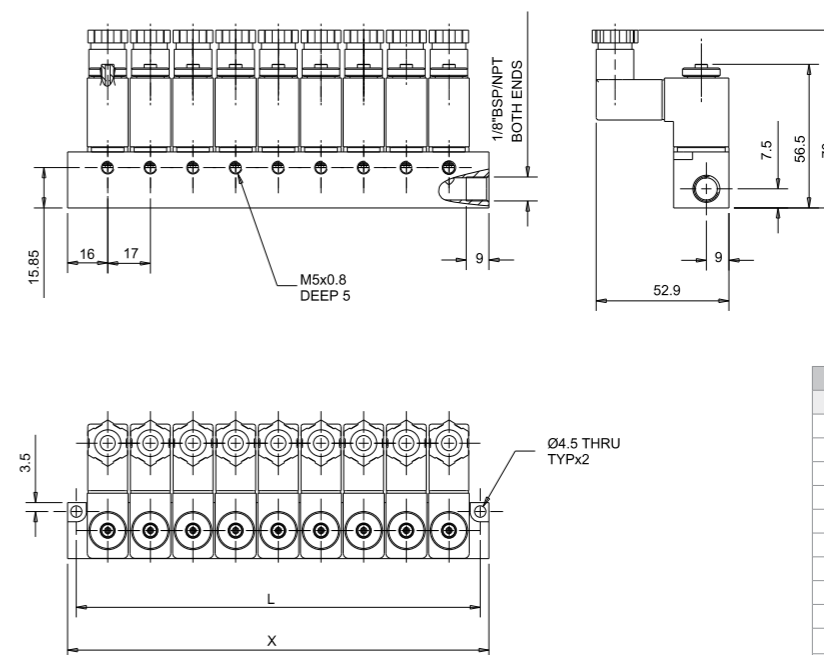
#### Voltage & Power Consumption

| V   | AC 50Hz |       | DC (W) |
|-----|---------|-------|--------|
|     | 3.2VA   | 3.6VA | 3      |
| 12  |         |       | •      |
| 24  |         | •     | •      |
| 110 |         | •     |        |
| 230 | •       |       |        |

• Available options

## Direct Operated | Manifolds | G65

#### Dimensions



| Station |       |       |
|---------|-------|-------|
| Station | X(mm) | L(mm) |
| 2       | 49    | 42    |
| 3       | 66    | 59    |
| 4       | 83    | 76    |
| 5       | 100   | 93    |
| 6       | 117   | 110   |
| 7       | 134   | 127   |
| 8       | 151   | 144   |
| 9       | 168   | 161   |
| 10      | 185   | 178   |
| 11      | 202   | 195   |
| 12      | 219   | 212   |

#### How to Order

| G65-M           | # STATIONS | BODY <sup>(1)</sup> | PORT   | FUNCTION | ORIFICE | SEALS | VOLTAGE | POWER | CONNECTOR |   |            |   |                             |   |         |   |
|-----------------|------------|---------------------|--------|----------|---------|-------|---------|-------|-----------|---|------------|---|-----------------------------|---|---------|---|
| Specify 02 - 12 | Aluminium  | 1                   | M5     | 00       | 2W NC   | 1     | 0.8     | 1     | NBR       | N | W/out coil | 0 | No coil                     | 0 | without | 0 |
|                 |            |                     | #10UNF | 01       | 3W NC   | 3     | 1.0     | 2     | FKM       | V | 12         | 2 | AC3.6VA <sup>(2)</sup> 50Hz | 1 | with    | 1 |
|                 |            |                     |        |          |         |       | 1.2     | 3     | EPDM      | E | 24         | 3 | DC3W                        | 3 | other   | 9 |
|                 |            |                     |        |          |         |       | 110     | 5     |           |   |            |   |                             |   |         |   |
|                 |            |                     |        |          |         |       | 230     | 7     |           |   |            |   |                             |   |         |   |

#### Example : G65-M-0810133N-311

G65 direct operated manifold, 8 stations, aluminium, #10UNF, 3W NC, 1.2mm orifice, NBR, 24V AC 3.6VA 50 Hz with connector.

G65-M - 08 1 01 3 3 N - 3 1 1

(1) For Stainless Steel tube add "s" : e.g. G65-M - X Xs X X X X X X X X X

(2) When choosing 230V AC, the power is 3.2VA

\* To order manifolds manufactured according to your specific requirements, please contact our technical sales department.