

2" - 3" Spinklin™

Automatic disc filtration system for low to medium flow rates in a compact footprint



inlet/outlet connection

**2" SK: 80 - 150 mm
(3" - 6")**

**3" SK: 150 - 200 mm
(6" - 8")**

flow rates

**10-120 m³/h
(44-530 gpm)**

**90-200 m³/h
(400-880 gpm)
and higher**

filtration degrees

20-400 micron

max. working pressure

10 bar (145 psi)

features:

- Micron-precise depth filtration of solids
- Innovative disc technology captures and retains large amounts of solids
- Long-term operation with minimal maintenance
- Easy and simple operation
- Short automatic backwash with regulated water volume for a small water footprint
- Permanently eliminates the need to replace filter media
- Compact design

How the 2"- 3" SpinKlin™ Systems Filters Work

General

The Arkal 2" - 3" SpinKlin™ series are modular, all polymeric, automatic disc filters with a patented self-cleaning backwash mechanism.

The 2" - 3" SpinKlin™ systems range in flow rates from 10 m³/h (44 gpm) to 200 m³/h (880 gpm) with filtration degrees ranging from 20 - 400 micron. Inlet/Outlet from 80 - 200 mm (3" - 8") diameter.

The Filtration Process

The discs are stacked on the SpinKlin™ spine and assembled according to pre-determined water filtration requirements. During filtration, the discs are compressed by means of a pre-loaded spring and differential pressure, forcing the water to pass through the grooved disc surface, thus trapping the solids.

The Backwash Process

Activated by a pre-determined time trigger or differential pressure, the system enters backwash mode. The inlet valve shuts while the drain valve port opens. During the backwash process, pressure is released and the spine's piston elevates, releasing the compression on the discs. Tangential jets of filtered water are then forced through the nozzles positioned along the spine. At this stage the discs spin freely, loosening the trapped solids which are then flushed out. During the flushing cycle each filter pod is backwashed sequentially, while the other pods continue to supply filtered water downstream. When a pod begins the backwash cycle, the system valves automatically reverse the flow in the pod, allowing filtered downstream pressurized water to backwash the filter.

External Source Backwash

Each filter is backwashed sequentially, while the other filters continue to supply filtered water downstream. In each backwashed filter the inlet & outlet valves automatically close and the drain & external source valves automatically open. Pressurized filtered water from the external source header enters the backwashed filter through its outlet port and backwashes it.

- Higher energy for low operating pressure applications and fine filtration degrees

Air Aided Backwash (for 2" SpinKlin™ systems only)

Main benefits:

- Enhanced cleaning power, especially on fine filtration degrees
- Less backwash water volume
- Low pressure operation
- Reduced backwash time per filter pod (←10 sec)
- The air and water mix at a minimum pressure of 2.5 bar generates the optimal cleaning performance in SpinKlin™ technology

During the flushing cycle, each filter pod is backwashed sequentially while the other pod continues to supply filtered water downstream. When a pod begins the backwash cycle, the valves automatically reverse the flow in the pod, and open the air valve, allowing compressed air to push the filtered water stored in the accumulator through the backwash manifold and into the SpinKlin™ filter being backwashed.

Each backwash cycle requires a time delay to allow the water tank to be filled with clean water and air, making the total backwash duration longer than in regular systems.

A clean & dry air pressure source is necessary to operate the filtration system (supplied by the customer).

Construction materials	
Filter Housing & Lid	RPA (Reinforce Polyamide) or RPP (Reinforce Polypropylene)
Disc elements	PP (Polypropylene) or PA (Polyamide)
Backwash valves	RPA (Reinforce Polyamide) or RPP (Reinforce Polypropylene)
Manifolds	PP (Polypropylene)
Seals	NBR or EPDM, (Viton optional)
Control Tubing	PE or PA

Disc material type availability according to filtration degree:

Color Code	Gray	Purple	Green	Brown	Black	Red	Yellow	Blue
Micron	20	40	55	70	100	130	200	400
PP Disc PA (Nylon) Disc	PP, PA	PP	PP, PA	PP, PA	PP, PA	PP, PA	PP, PA	PP

SK 2" Batteries



Filter Type	2 unit battery	3 unit battery	4 unit battery	
General Data				
Max. working pressure*	10 bar (145 psi)			
Min. backwash pressure	2.8 bar (40.6 psi)			
Maximum recommended flow rate	100µ	30 m³/h (132 gpm)	45 m³/h (198 gpm)	60 m³/h (264 gpm)
	55µ	20 m³/h (88 gpm)	30 m³/h (132 gpm)	40 m³/h (176 gpm)
	20µ	10 m³/h (44 gpm)	15 m³/h (66 gpm)	20 m³/h (88 gpm)
Available filtration degrees	400, 200, 130, 100, 70, 55, 40, 20 micron			
Filtration volume	2,296 cm³ (140 in³)	3,444 cm³ (210 in³)	4,592 cm³ (280 in³)	
Inlet/Outlet diameter	80 mm (3")	100 mm (4")		
Max. working temperature*	60°C (140°F)			
Dry weight standard	27 kg (59.5 lb)	38 kg (83.7 lb)	49 kg (108 lb)	

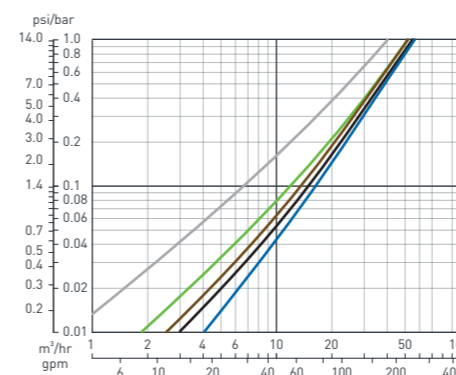
Backwash Data	
Drain connection	50 mm (2")
Flushing time	20 seconds
Min. flow for backwash	10 m³/h (44 gpm)

* Maximum operating pressure and temperature are interdependent parameters and are given for general reference only. Please consult your authorized Amiad representative for the application specific parameters.

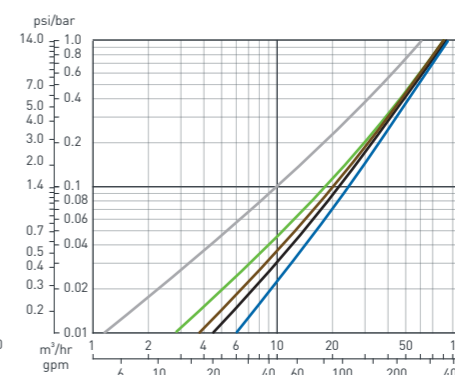
Head Loss Graphs (in clean water)

— 400µ — 100µ — 70µ — 55µ — 20µ

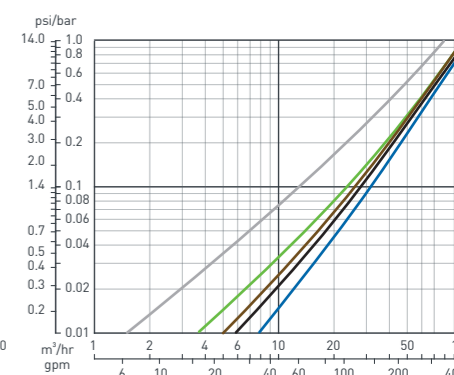
2 x 2" SK Battery



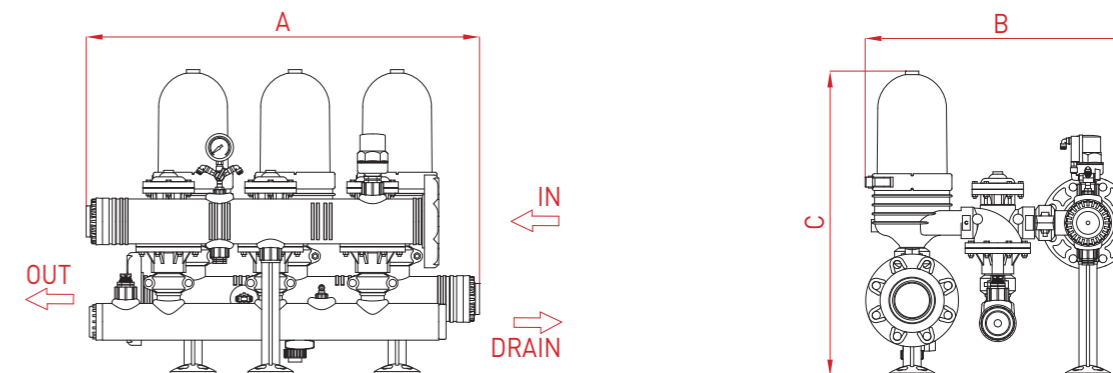
3 x 2" SK Battery



4 x 2" SK Battery



Typical Installation Drawing



Dimensions	2 unit battery	3 unit battery	4 unit battery
A Length	706 mm (28")	964 mm (38")	1,214 mm (48")
B Width	660 mm (26")		
C Height	747 mm (30")		

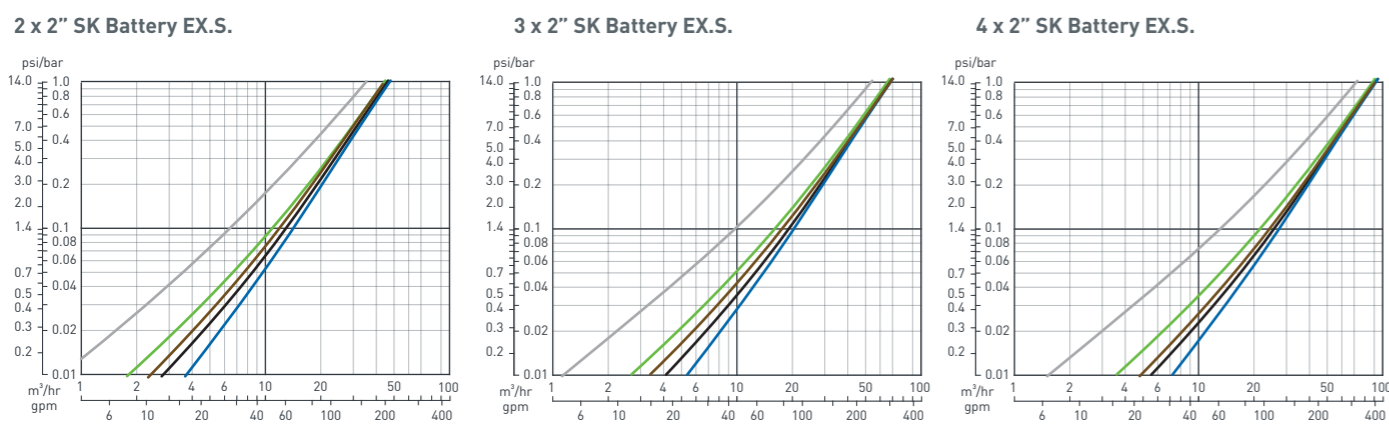
SK 2" Batteries External



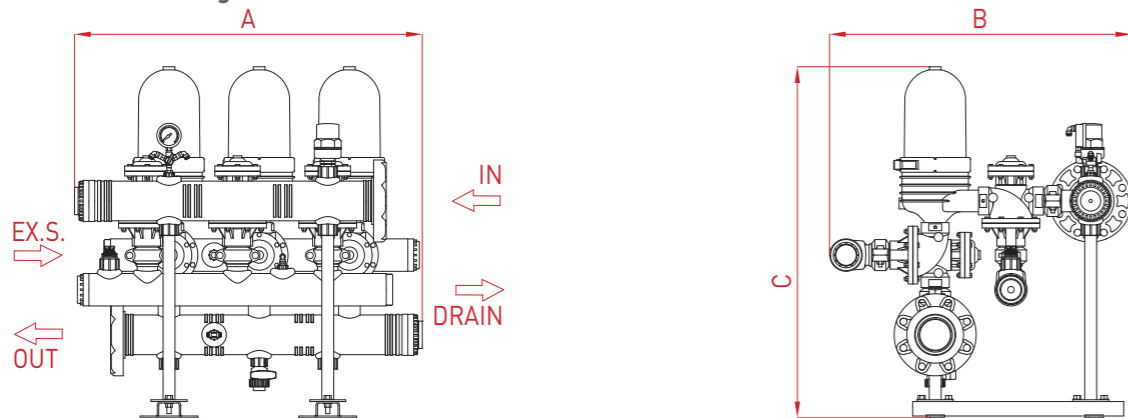
Filter Type	2 unit battery	3 unit battery	4 unit battery	
General Data				
Max. working pressure*	10 bar (145 psi)			
Min. backwash pressure	2.8 bar (40.6 psi)			
Maximum recommended flow rate	100µ	30 m³/h (132 gpm)	45 m³/h (198 gpm)	60 m³/h (264 gpm)
	55µ	20 m³/h (88 gpm)	30 m³/h (132 gpm)	40 m³/h (176 gpm)
	20µ	10 m³/h (44 gpm)	15 m³/h (66 gpm)	20 m³/h (88 gpm)
Available filtration degrees	400, 200, 130, 100, 70, 55, 40, 20 micron			
Filtration volume	2,296 cm³ (140 in³)	3,444 cm³ (210 in³)	4,592 cm³ (280 in³)	
Inlet/Outlet diameter	80 mm (3")	100 mm (4")		
Max. working temperature*	60°C (140°F)			
Dry weight EX.S. backwash	46 kg (102 lb)	59 kg (131 lb)	73 kg (162 lb)	
Backwash Data				
Drain connection	50 mm (2")			
Flushing time	15 seconds			
Min. flow for backwash	10 m³/h (44 gpm)			

* Maximum operating pressure and temperature are interdependent parameters and are given for general reference only. Please consult your authorized Amiad representative for the application specific parameters.

Head Loss Graphs (in clean water)



Typical Installation Drawing



Dimensions		2 unit battery	3 unit battery	4 unit battery
A	Length	706 mm (28")	964 mm (38")	1214 mm (48")
B	Width		839 mm (33")	
C	Height		973 mm (38")	

SK 2" Batteries Air Aided



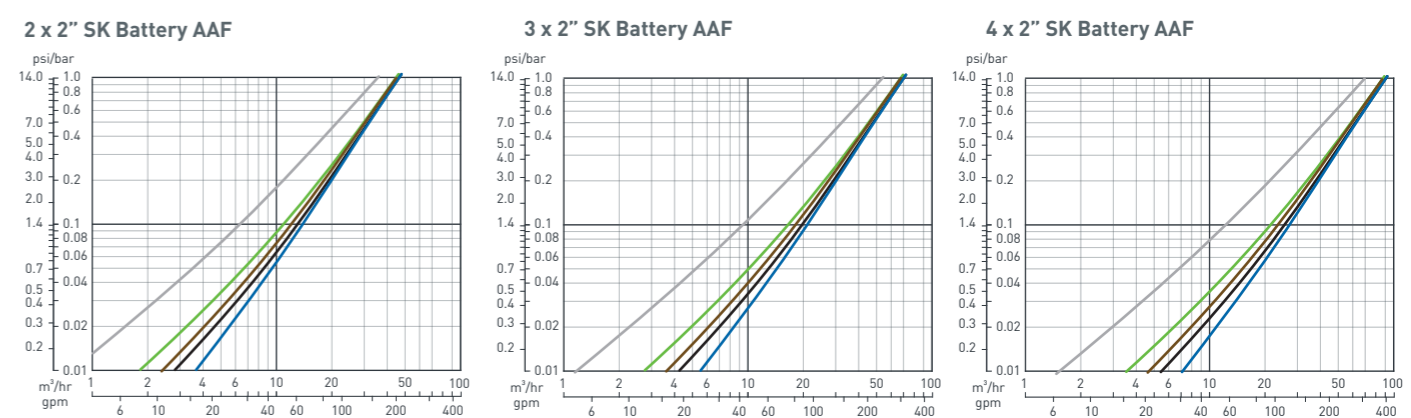
Filter Type	2 unit battery	3 unit battery	4 unit battery	
General Data				
Max. working pressure*	10 bar (145 psi)			
Min. down stream pressure	1 bar (15 psi)			
Maximum recommended flow rate	100µ	30 m³/h (132 gpm)	45 m³/h (198 gpm)	60 m³/h (264 gpm)
	55µ	20 m³/h (88 gpm)	30 m³/h (132 gpm)	40 m³/h (176 gpm)
	20µ	10 m³/h (44 gpm)	15 m³/h (66 gpm)	20 m³/h (88 gpm)
Available filtration degrees	400, 200, 130, 100, 70, 55, 40, 20 micron			
Filtration volume	2,296 cm³ (140 in³)	3,444 cm³ (210 in³)	4,592 cm³ (280 in³)	
Inlet/Outlet diameter	80 mm (3")	100 mm (4")		
Max. working temperature*	60°C (140°F)			
Dry weight standard	59 kg (131 lb)	73 kg (162 lb)	89 kg (197 lb)	
Air flow requirements	270 l/min (71 gpm) at 6-8 bar (87-116 psi)			

* Maximum operating pressure and temperature are interdependent parameters and are given for general reference only. Please consult your authorized Amiad representative for the application specific parameters.

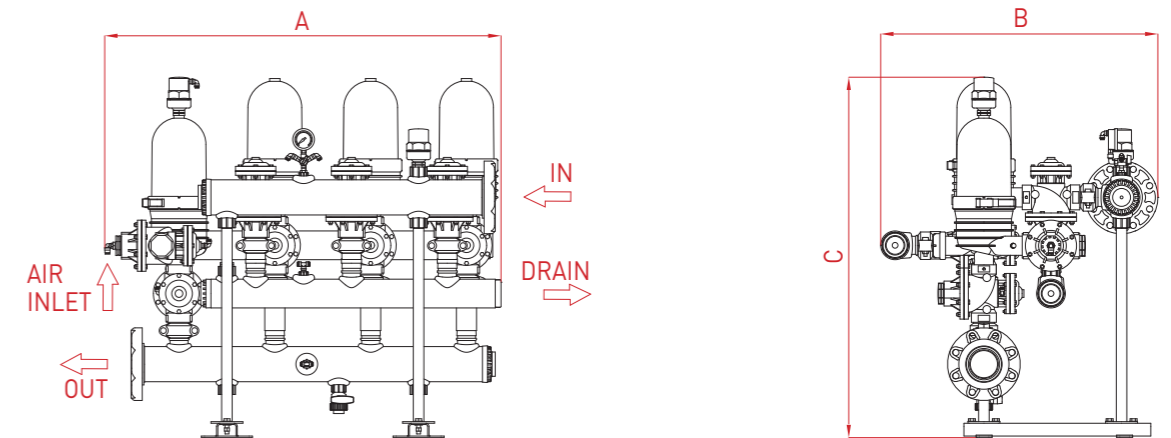
Backwash Data	
Valve drain port	50 mm (2")
Flushing time**	7 seconds
Volume of backwash (not include air)**	12 liter (3.2 gallons)

**Air Aided system flushing time and volume depend on air tank size.

Head Loss Graphs (in clean water)



Typical Installation Drawing



Dimensions		2 unit battery	3 unit battery	4 unit battery
A	Length	941 mm (37")	1,241 mm (49")	1,541 mm (61")
B	Width		868 mm (34")	
C	Height		1,128 mm (44")	

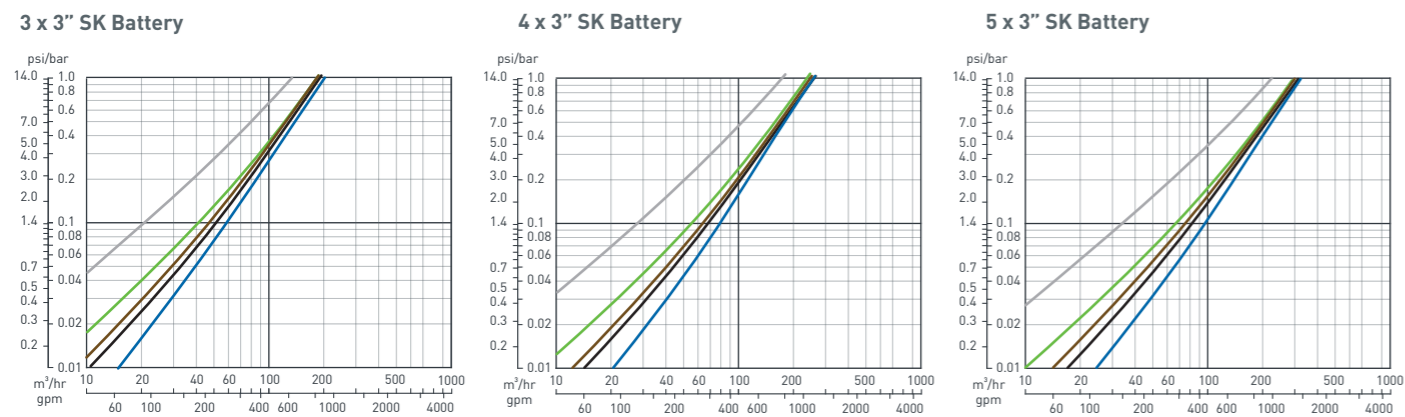
SK 3" Batteries



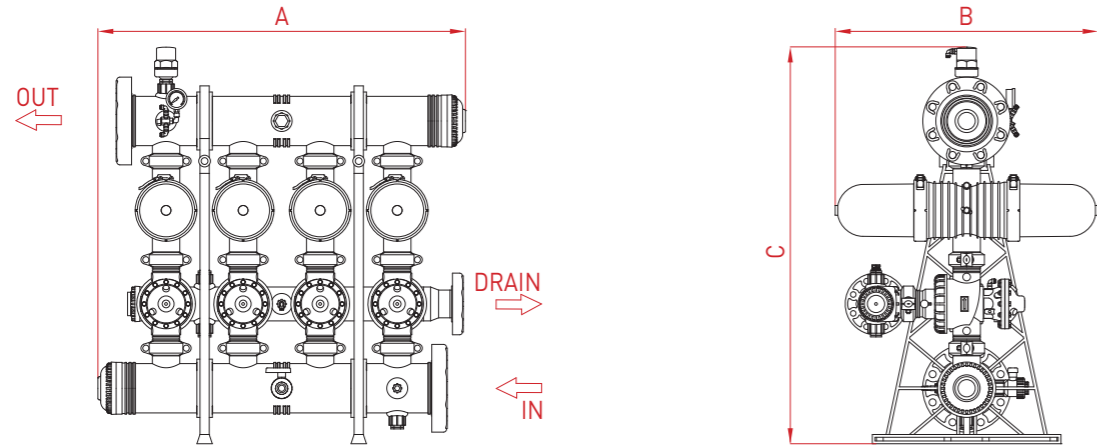
Filter Type		3 unit battery	4 unit battery	5 unit battery
General Data				
Max. working pressure*		10 bar (145 psi)		
Min. backwash pressure		2.8 bar (40.6 psi)		
Maximum recommended flow rate	100μ	90 m³/h (396 gpm)	120 m³/h (527 gpm)	150 m³/h (660 gpm)
	55μ	60 m³/h (264 gpm)	80 m³/h (352 gpm)	100 m³/h (440 gpm)
	20μ	30 m³/h (132 gpm)	40 m³/h (176 gpm)	50 m³/h (220 gpm)
Available filtration degrees		400, 200, 130, 100, 70, 55, 40, 20 micron		
Filtration volume		6,888 cm³ (420 in³)	9,184 cm³ (560 in³)	11,480 cm³ (700 in³)
Inlet/Outlet diameter		150 mm (6")		
Max. working temperature*		60°C (140°F)		
Dry weight standard		95 kg (209 lb)	115 kg (253 lb)	135 kg (297 lb)
Backwash Data				
Drain connection		80 mm (3")		
Flushing time		20 seconds		
Min. flow for backwash		20 m³/h (88 gpm)		

* Maximum operating pressure and temperature are interdependent parameters and are given for general reference only. Please consult your authorized Amiad representative for the application specific parameters.

Head Loss Graphs (in clean water)



Typical Installation Drawing



Dimensions		3 unit battery	4 unit battery	5 unit battery
A	Length	942 mm (37 3/32")	1,192 mm (46 15/16")	1,442 mm (56 25/32")
B	Width		853 mm (33 19/32")	
C	Height		1,287 mm (50 21/32")	

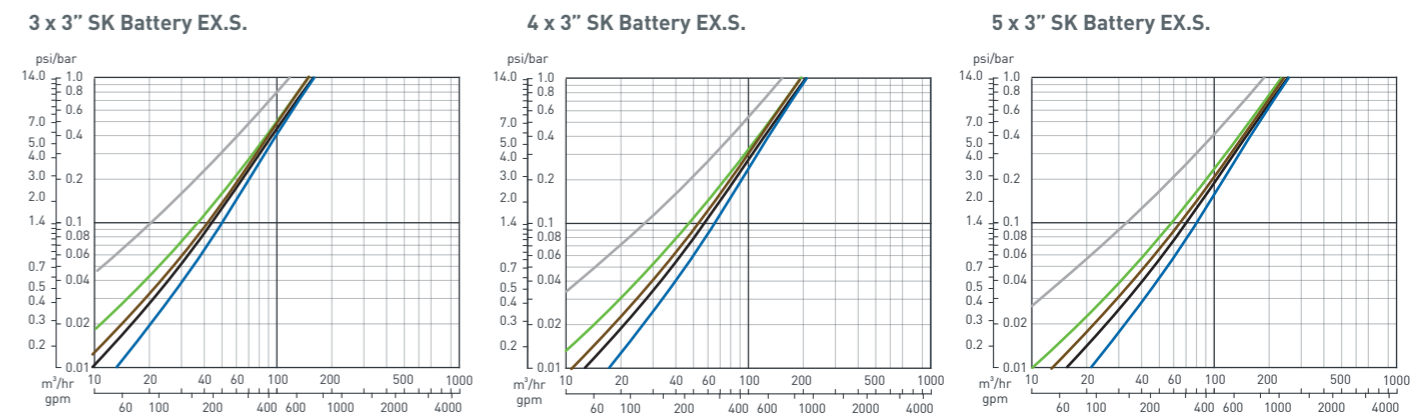
SK 3" Batteries External Source



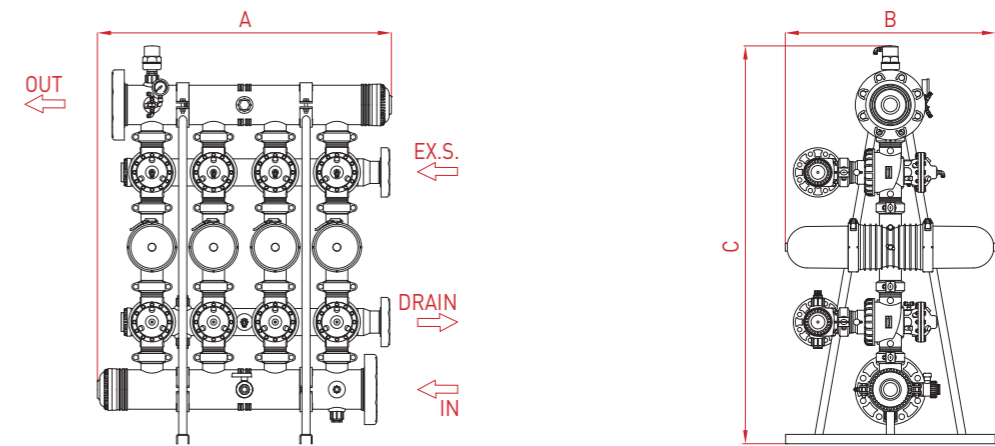
Filter Type		3 unit battery	4 unit battery	5 unit battery
General Data				
Max. working pressure*		10 bar (145 psi)		
Min. backwash pressure		2.8 bar (40.6 psi)		
Maximum recommended flow rate	100μ	90 m³/h (396 gpm)	120 m³/h (527 gpm)	150 m³/h (660 gpm)
	55μ	60 m³/h (264 gpm)	80 m³/h (352 gpm)	100 m³/h (440 gpm)
	20μ	30 m³/h (132 gpm)	40 m³/h (176 gpm)	50 m³/h (220 gpm)
Available filtration degrees		400, 200, 130, 100, 70, 55, 40, 20 micron		
Filtration volume		6,888 cm³ (420 in³)	9,184 cm³ (520 in³)	11,480 cm³ (700 in³)
Inlet/Outlet diameter		150 mm (6")		
Max. working temperature*		60°C (140°F)		
Weight [empty] EX.S. backwash		110 kg (242 lb)	130 kg (286 lb)	150 kg (330 lb)
Backwash Data				
Valve drain port		80 mm (3")		
Flushing time		15 seconds		
Min. flow for backwash		20 m³/h (88 gpm)		

* Maximum operating pressure and temperature are interdependent parameters and are given for general reference only. Please consult your authorized Amiad representative for the application specific parameters.

Head Loss Graphs (in clean water)



Typical Installation Drawing



Dimensions		3 unit battery	4 unit battery	5 unit battery
A	Length	942 mm (37 3/32")	1,192 mm (46 15/16")	1,442 mm (56 25/32")
B	Width		853 mm (33 19/32")	
C	Height		1,614 mm (63 17/32")	

Headquarters

Amiad Water Systems Ltd.

Web: www.amiad.com | E-mail: info@amiad.com

The Americas



USA

Amiad USA Inc.

Web: www.amiadusa.com | E-mail: infousa@amiad.com

Mexico

Amiad México SA DE CV,

Web: www.amiad.es | E-mail: infomexico@amiad.com

Irrigation office: E-mail: infomexico-irr@amiad.com

Asia



India

Amiad Filtration India Pvt Limited

Web: www.amiadindia.com | E-mail: info-india@amiad.com

China

Amiad China (Yixing Taixing Environtec Co., Ltd.)

Web: www.amiad.com.cn | E-mail: infochina@amiad.com

South-East Asia

Filtration & Control Systems Pte. Ltd.

E-mail: info-singapore@amiad.com

Australia



Amiad Australia Pty Ltd.

Web: www.amiad.com.au | E-mail: sales@amiad.com

Europe



Amiad Water Systems Europe SAS

E-mail: industry-europe@amiad.com

German branch office

E-mail: industry-de@amiad.com

United Kingdom

Amiad Water Systems UK Limited

E-mail: info-uk@amiad.com



www.amiad.com

910101-000559/12.2019

Copyright © 2019 Amiad Water Systems Ltd. All rights reserved. The contents of this catalogue including without limitation all information and materials, images, illustrations, designs, icons, photographs, graphical presentations, designs, literary works, data, drawings, slogans, phrases, names, trademarks, titles and any other such materials that appear in this catalogue (collectively, the "Contents") are the sole property of Amiad Water Systems Ltd. ("Amiad"). Amiad has sole and exclusive right, title and interest in the Contents, including any intellectual property rights, whether registered or not, and all know-how contained or embodied therein. You may not reproduce, publish, transmit, distribute, display, modify, create derivative works from, sell or participate in any sale of, or exploit in any way, in whole or in part, any of the Contents or the catalogue. Any use of the catalogue or the Contents, other than for personal use, requires the advanced written permission of Amiad.