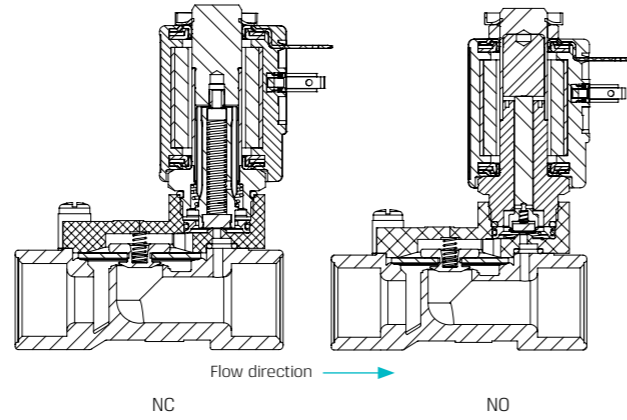


ELECTRIC/HYDRAULIC VALVES | GEM & G75

GEM-S | Pilot operated 3/8", 1/2" 2 Way NC, NO



Technical Data

Function	2 Way NC, NO
Ports size	3/8", 1/2" BSP & NPT
Orifice size	12mm
Pressure range	0.5 to 12 bar
Kv (l/min)	35 l/min
Temperature range	Fluid : 5°C to 50°C (no freezing) Ambient : -10°C to 50°C
Materials in contact with media	Main Valve: Reinforced Nylon Solenoid Operator: Stainless Steel AISI 300 & 400 series Seals: NBR, FPM (Viton®), EPDM
Solenoid	GEM-SOL 2W NC solenoids, all voltages.
Coil voltage	• Voltage and power consumption - see table • All Baccara coil voltages are ± 10% of nominal
Standard protection class	IP65 with connector * Option : IP68 (please refer to GEM-BP Coil)

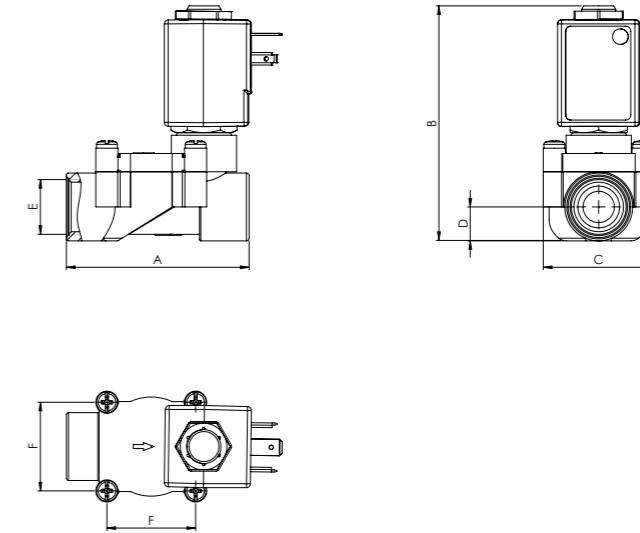
Voltage & Power Consumption

V	AC (W)						DC (W)		
	50 Hz			60 Hz			10	5.5	3.5
6							•		
12	•			•			•		
24	•			•			•		
48	•			•			•		
110	•			•			•		
120	•			•					
220	•			•			•		
230	•								
240	•			•			•		

• Available options

GEM-S | Pilot operated 3/8", 1/2" 2 Way NC, NO

Dimensions



Function	A	B	C	D	E	F
NC	70	90	42.5	13	3/8" & 1/2"	34
NO	70	93.4	42.5	13	3/8" & 1/2"	34

How to Order

GEM-S	BODY	PORT	FUNCTION	SEALS	MANUAL OVERRIDE	* When ordering without coil, please define what current and pressure rating is needed (DC, AC)							
						VOLTAGE	POWER	CONNECTOR					
	Plastic	4	3/8" BSP 30	2W NC 1	NBR N	None	0	W/out coil	0	No coil	0	without	0
			3/8" NPT 31	2WNO 2a	FPM (Viton®) V			6	1	AC8W 50Hz	1	with	1
			1/2" BSP 40		EPDM E			12	2	AC8W 60Hz	2	with LED	2
			1/2" NPT 41					24	3	DC10W	3	with bi-color LED	3
								48	4			flying leads coil	4
								110	5			with 1/2" Hub	5
								120	6			surge protection with LED	6
								220	7A			connector with moulded cable	7
								230	7			other	9
								240	8				
								Latch/other (1)	9				

Example : GEM-S-4401N0-321
GEM-SOL pilot operated, 1/2" BSP, 2W NC, NBR, no manual override, 24V AC 8W 60Hz with connector

GEM-S - 4 40 1 N 0 - 3 2 1

(1) For specifying Latch type coil, please refer to GEM-A3P valve - How to Order table

* To order valves manufactured according to your specific requirements, please contact our technical sales department