

SOLENOID VALVES | General Purpose

Pilot Operated | 2W

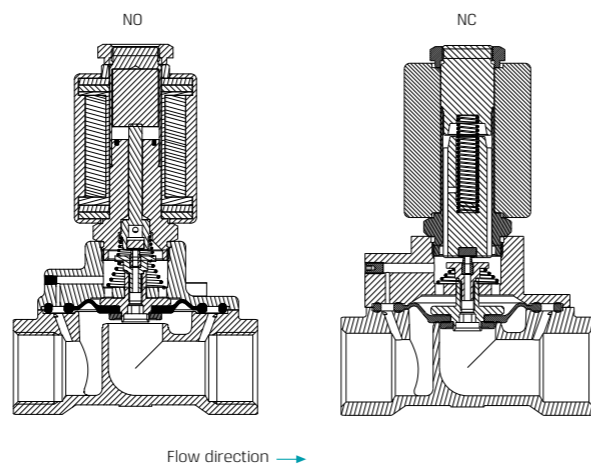
GEM-Z | Zero differential pressure 3/4", 1" 2 Way NC, NO



Brass | 3/4"



Stainless Steel | 1"



Technical Data

Function	2 Way NC, NO
Ports size	3/4", 1" BSP & NPT
Pressure range	See table
Kv (l/min)	See table
Temperature range	Fluid : -10°C to 80°C (no freezing) Ambient : -10°C to 50°C
Materials in contact with media	Main Valve: Brass, Stainless Steel AISI 316 Solenoid Operator: Stainless Steel AISI 300 & 400 series Seals: NBR
Media	Air, water, oil
Coil voltage	• Voltage and power consumption - see table • All Baccara coil voltages are ± 10% of nominal
Standard protection class	IP65 with connector * Option : IP68 (please refer to GEM-BP Coil)

- When switching from an AC to a DC coil, the solenoid operator must be changed as well.
- Can be used in vacuum application from -1 bar to maximum pressure - see tables.

Pressure (bar) & Flow table NC

Size	Orifice (mm)	Pressure (bar)		Kv(l/min)
		AC	DC	
3/4"	20	0 to 14	0 to 10	125
1"	25	0 to 14	0 to 10	180

Pressure (bar) & Flow table NO

Size	Orifice (mm)	Pressure (bar) AC/DC		Kv(l/min)
		AC	DC	
3/4"	20	0 to 10		125
1"	25	0 to 8		180

Voltage & Power Consumption

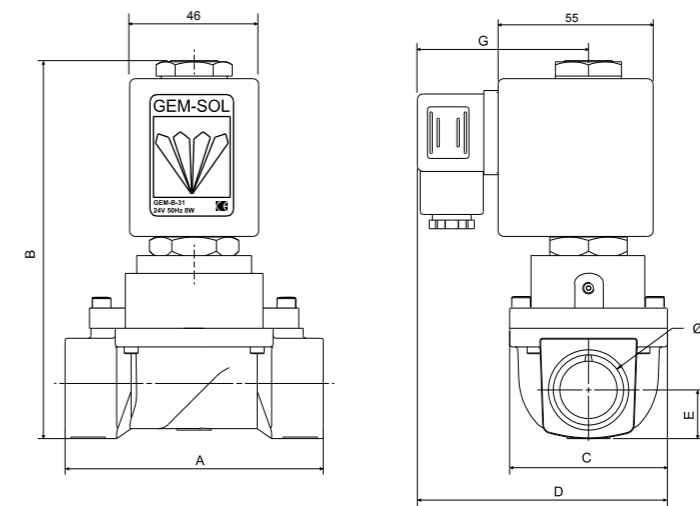
V	AC (W)		DC (W)
	50 Hz	60 Hz	
12	38	38	38
24	•	•	•
120	•	•	•
230	•	•	•

• Available options

Pilot Operated | 2W | GEM-SOL | Zero differential pressure 3/4", 1" NC, NO

Dimensions

Size	A	B	C	D	E	F	G
3/4"	90	131.8	55	87.2	17	3/4" BSP/NPT	49
1"	100	141.9	65	92.2	21	1" BSP/NPT	59.7



How to Order

GEM-Z	BODY	PORT	FUNCTION	SEALS	
Brass	2	3/4" BSP	50	2W NC 1	NBR N
Stainless Steel	3	3/4" NPT	51	2W NOa 2	
		1" BSP	60		
		1" NPT	61		

* When ordering without coil, please define what current and pressure rating is needed (DC, AC)

VOLTAGE	POWER	CONNECTOR	
W/out coil	0 No coil	0 without	0
12	2 AC38W 50Hz	E with	1
24	3 AC38W 60Hz	F with LED	2
120	6 DC38W	J with bi-color LED	3
230	7	with 1/2" Hub surge protection with LED connector with moulded cable	5
		other	6
			7
			9

Example : GEM-Z-2601N-2J1
GEM-SOL zero differential, brass, 1" BSP, 2W NC, NBR, 12V DC 38W with connector.

GEM-Z - 2 60 1 N - 2 J 1

* To order valves manufactured according to your specific requirements, please contact our technical sales department.