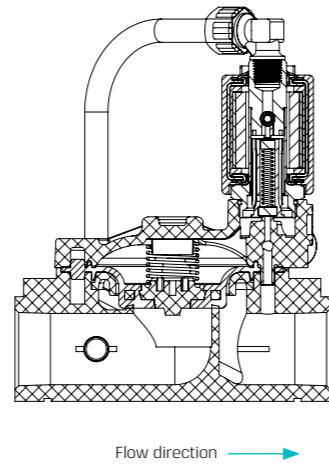


ELECTRIC/HYDRAULIC VALVES | GEM & G75

GEM-S-4 | Upstream pilot control integrated with Gem-Sol operator
3/4", 1" 2 Way NC, NO



Technical Data

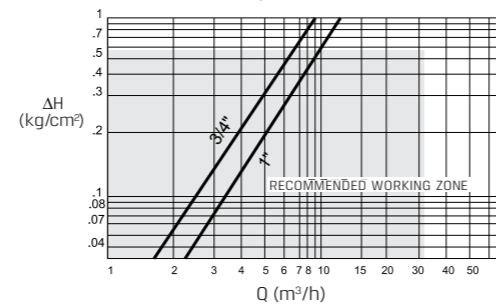
Function	2 Way NC, NO
Ports size	3/4", 1 BSPT & NPT
Connection	Female BSPT or NPT thread
Pressure range	0.3 to 10 bar
Temperature range	Fluid : 5°C to 50°C (no freezing) Ambient : -10°C to 50°C
Solenoid	GEM-SOL 3/4" UNEF, 2 Way NC or NO solenoids. All voltages
Materials in contact with media	Manual override: Reinforced Nylon Body & cover: Reinforced Nylon Spring: Stainless Steel AISI 302 Diaphragm: EPDM Seals: EPDM Screws: Stainless Steel AISI 304 Solenoid: Stainless Steel AISI 300 & 400 series
Coil voltage	• Voltage and power consumption - see table • All Baccara coil voltages are ± 10% of nominal
Standard protection class	IP65 with connector * Option : IP68 (please refer to GEM-BP Coil)

• Progressive opening and shut off that prevents water hammer

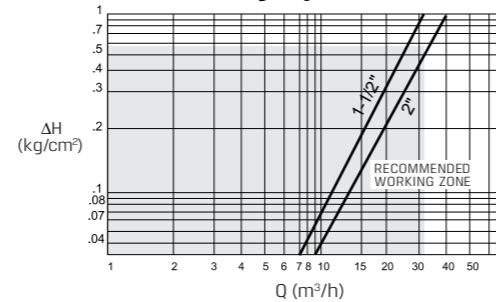
Flow & Orifice table

Size	Orifice (mm)	Kv (l/min)
3/4"	27	140
1"	27	200

Head loss for fully open valve



Head loss for fully open valve



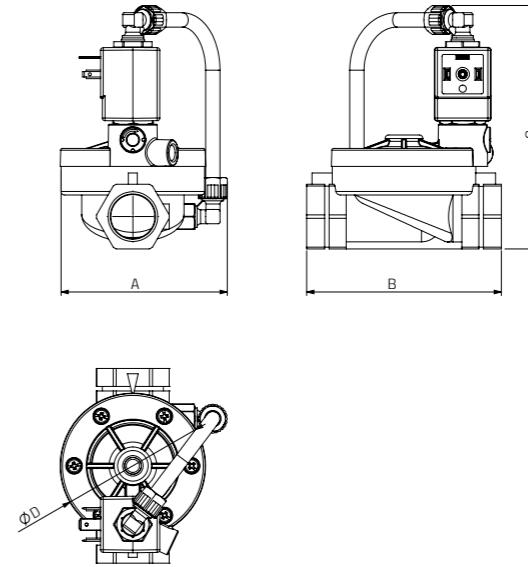
Voltage & Power Consumption

V	AC (W)						DC (W)		
	50 Hz			60 Hz			10	5.5	3.5
6							•		
12	•			•			•		
24	•	•		•	•		•		
48	•			•			•		
110	•			•	•		•		
120	•			•			•		
220	•	•		•			•		
230	•	•		•			•		
240	•			•			•		

• Available options

GEM-S-4 | Upstream pilot control integrated with Gem-Sol operator
3/4", 1" 2 Way NC, NO

Dimensions



How to Order

GEM-S	BODY	PORT	FUNCTION	SEALS	MANUAL OVERRIDE	FLOW CONTROL	VOLTAGE	POWER	CONNECTOR
	Plastic 4	3/4" BSPT 50	2W NC 1	EPDM E	None 0	with 1	W/out coil 0	No coil 0	without 0
		3/4" NPT 51	2WNO 2a		Plastic 1	without 2	6 1	ACBW 50Hz 1	with 1
		1" BSPT 60					12 2	ACBW 60Hz 2	with LED 2
		1" NPT 61					24 3	DC10W 3	with bi-color LED 3
							48 4	AC5.5W 50Hz 4	flying leads coil 4
							110 5	AC5.5W 60Hz 5	with 1/2" Hub 5
							120 6		surge protection with LED connector with moulded cable 6
							220 7A		connector with moulded cable 7
							230 7		other 9
							240 8		
							Latch/other (1) 9		

* When ordering without coil, please define what current and pressure rating is needed (DC, AC)

Example : GEM-S-4501E11-331

GEM-SOL pilot operated upstream, nylon body, 3/4" BSPT, 2W NC, EPDM, plastic manual override, with flow control, 24V DC 10W with connector

GEM-S - 4 50 1 E 1 1 - 3 3 1

(1) For specifying Latch type coil, please refer to GEM-A3P valve - How to Order table

* To order valves manufactured according to your specific requirements, please contact our technical sales department