

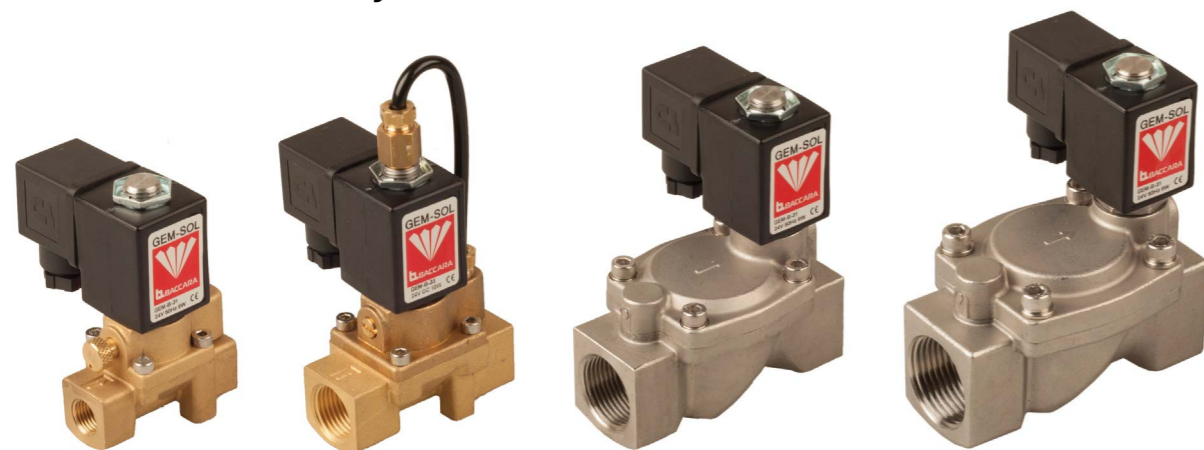
SOLENOID VALVES | General Purpose

Pilot Operated | 2W



* Available on selected models only

GEM-S | 1/4" - 1" 2 Way NC, NO



Brass | NC |
knob manual override

Brass | NO |
slot manual override

Stainless Steel | 1/2"

Stainless Steel | 1"

Technical Data

Function	2 Way NC, NO
Ports size	1/4", 3/8", 1/2", 3/4", 1" BSP & NPT
Pressure range	See table *Minimum pressure differential of 0.3 or 0.5 is required
Kv (l/min)	See table
Temperature range	Fluid : -10°C to 80°C (no freezing) Ambient : -10°C to 50°C
Materials in contact with media	Manual override: NC/NO - Brass screw NOa* - manual override is not available *pressure is supplied through the base Main Valve: Brass Stainless Steel AISI 316 Solenoid Operator: Stainless Steel AISI 300 & 400 series Seals: NBR, FPM (Viton®), EPDM
Coil voltage	• Voltage and power consumption - see table • All Baccara coil voltages are ± 10% of nominal
Standard / Certification	• UL 429 * Available on selected models only. Please contact our technical sales department for details.
Standard protection class	IP65 with connector * Option : IP68 (please refer to GEM-BP Coil)

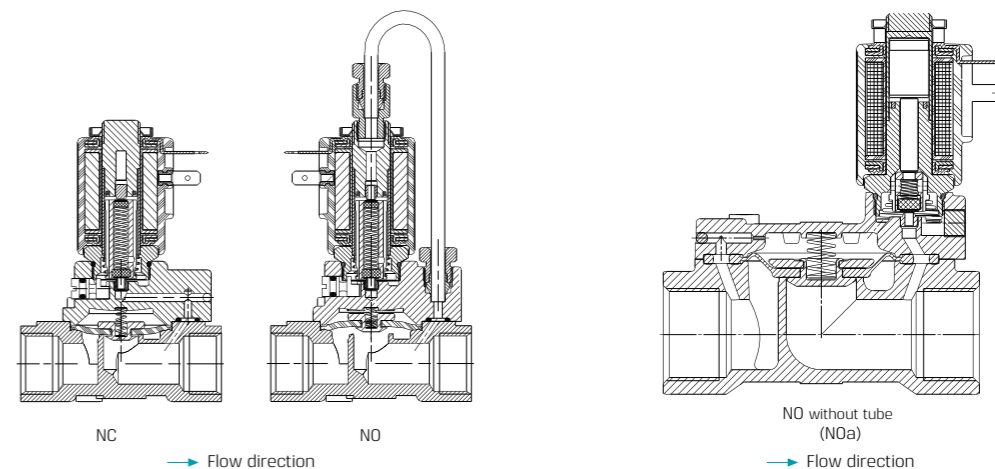
• Slow closing system to prevent water hammer effect

Voltage & Power Consumption

V	AC (W)						DC (W)		
	50 Hz			60 Hz			10	5.5	3.5
6							•		
12	•			•			•		
24	•			•			•		
48	•			•			•		
110	•			•			•		
120	•			•			•		
220	•			•			•		
230	•			•			•		
240	•			•			•		

• Available options

Pilot Operated | 2W | GEM-SOL | 1/4" - 1" NC, NO



Pressure (bar) & Flow table NO/NC GEM-S-□-20...41

Size	Orifice (mm)	Pressure (bar)	Kv (l/min)
1/4"	8	0.5 to 20	12
3/8"	8		16
1/2"	12		35

Pressure (bar) & Flow table NO/NC GEM-S-□-□r

Size	Orifice (mm)	Pressure (bar)	Kv (l/min)
1/2"	16	0.5 to 20	60
3/4"	16		80

Pressure (bar) & Flow table NO/NC GEM-S-□-50...60

Port Connection	Orifice (mm)	Pressure range (bar)		Kv (l/min)
		AC	DC	
3/4"	20	0.3-15	0.3-15	130
1"	25	0.5-15	0.5-15	200

