

# ELECTRIC/HYDRAULIC VALVES | GEM & G75

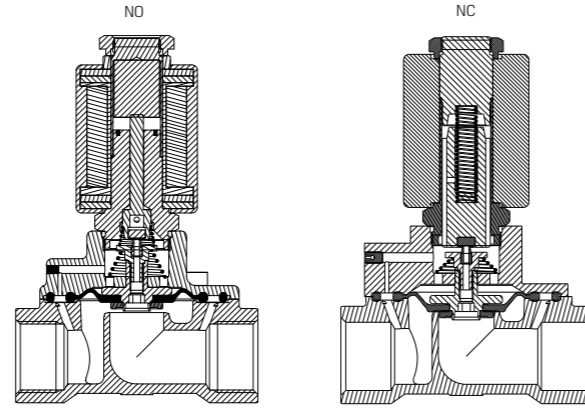
**GEM-Z** | Zero differential pressure 3/4", 1" 2 Way NC, NO



Brass | 3/4" | NC



Stainless Steel | 1" | NC



Flow direction →

## Technical Data

Function	2 Way NC, NO
Ports size	3/4", 1" BSP & NPT
Pressure range	See table
Kv (l/min)	See table
Temperature range	<b>Fluid</b> : -10°C to 80°C (no freezing) <b>Ambient</b> : -10°C to 50°C
Materials in contact with media	<b>Main Valve:</b> Brass, Stainless Steel AISI 316 <b>Solenoid Operator:</b> Stainless Steel AISI 300 & 400 series <b>Seals:</b> NBR
Media	Air, water, oil
Coil voltage	• Voltage and power consumption - see table • All Baccara coil voltages are ± 10% of nominal
Standard protection class	IP65 with connector * Option : IP68 (please refer to GEM-BP Coil)

- When switching from an AC to a DC coil, the solenoid operator must be changed as well.
- Can be used in vacuum application from -1 bar to maximum pressure - see tables.

## Pressure (bar) & Flow table NC

Size	Orifice (mm)	Pressure (bar)		Kv(l/min)
		AC	DC	
3/4"	20	0 to 14	0 to 10	125
1"	25	0 to 14	0 to 10	180

## Pressure (bar) & Flow table NO

Size	Orifice (mm)	Pressure (bar) AC/DC	Kv(l/min)
1"	25	0 to 8	180

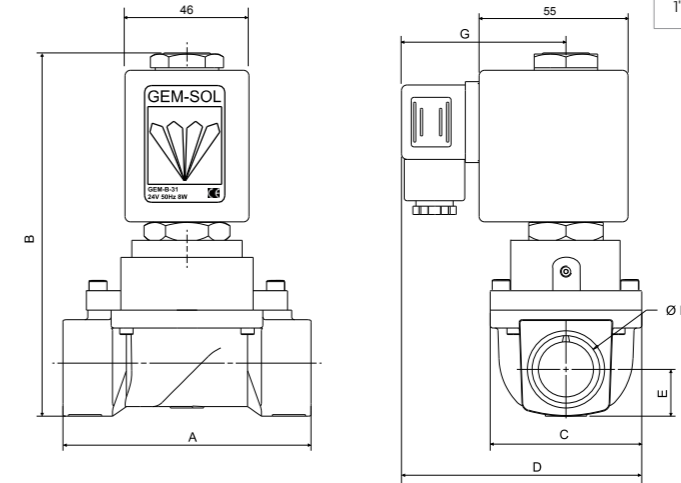
## Voltage & Power Consumption

V	AC (W)		DC (W)
	50 Hz	60 Hz	
12	38	38	38
24	•	•	•
120	•	•	•
230	•	•	•

- Available options

**GEM-Z** | Zero differential pressure 3/4", 1" 2 Way NC, NO

## Dimensions



Size	A	B	C	D	E	F	G
3/4"	90	131.8	55	87.2	17	3/4" BSP/NPT	49
1"	100	141.9	65	92.2	21	1" BSP/NPT	59.7

## How to Order

GEM-Z	BODY	PORT	FUNCTION	SEALS	* When ordering without coil, please define what current and pressure rating is needed (DC, AC)									
					VOLTAGE	POWER	CONNECTOR							
	Brass	2	3/4" BSP	50	2W NC	1	NBR	N	W/out coil	0	No coil	0	without	0
	Stainless Steel	3	3/4" NPT	51	2W NOa	2			12	2	AC38W 50Hz	E	with	1
			1" BSP	60					24	3	AC38W 60Hz	F	with LED	2
			1" NPT	61					120	6	DC38W	J	with bi-color LED	3
									230	7			with 1/2" Hub surge protection with LED	5
													connector with moulded cable	6
													other	7
														9

Example : GEM-Z-2601N-2J1  
GEM-SOL zero differential, brass, 1" BSP, 2W NC, NBR, 12V DC 38W with connector

GEM-Z	-	2	60	1	N	-	2	J	1
-------	---	---	----	---	---	---	---	---	---

\* To order valves manufactured according to your specific requirements, please contact our technical sales department